



# CAL LIGHTING

3625 E. Philadelphia St. Ontario CA. 91761 • Tel: 909.947.5200 • Fax:  
909.947.5673 • www.calighting.com • service@calighting.com •  
Specifications subject to change without notice

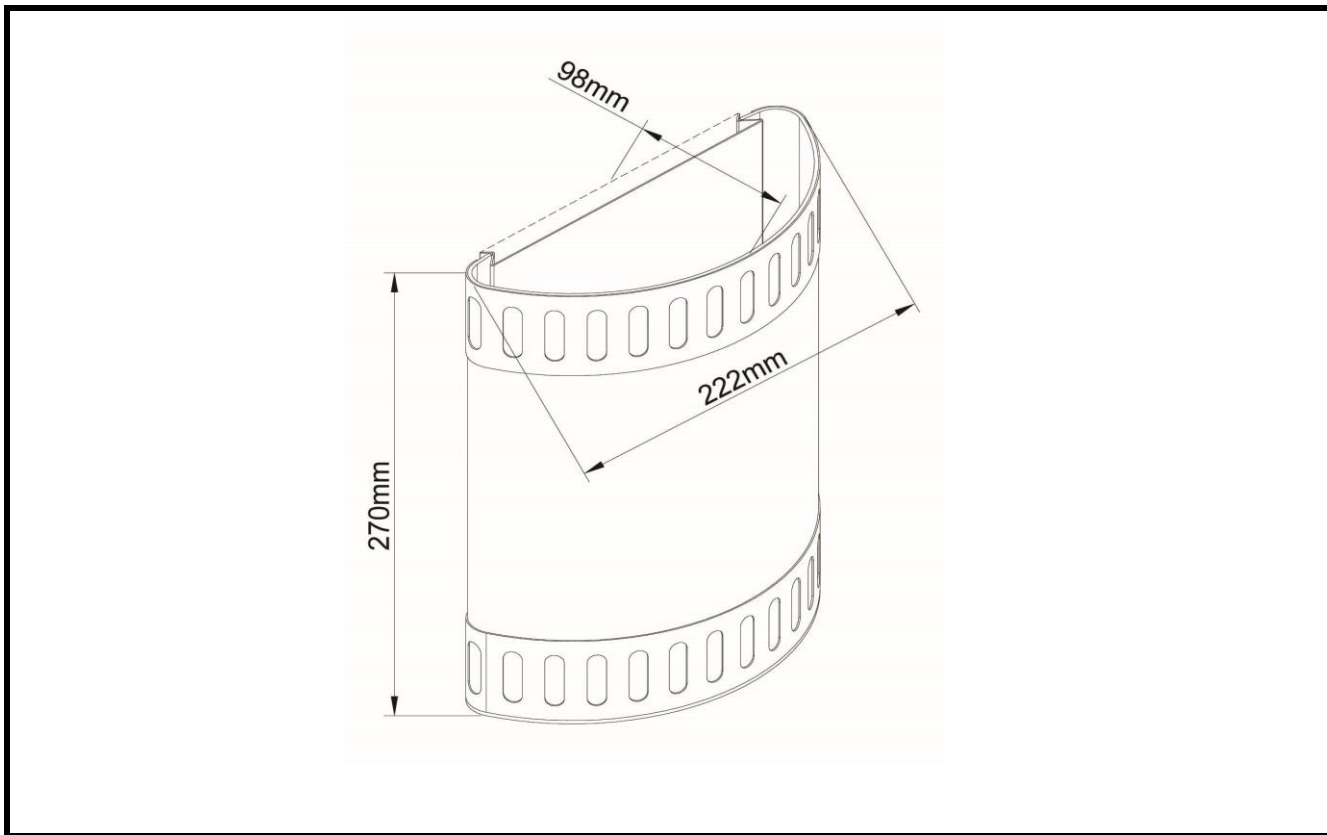
Type: \_\_\_\_\_

Project: \_\_\_\_\_

Catalog No.: \_\_\_\_\_

Lamp/Wattage: \_\_\_\_\_

Drawing:



**Model No:** LA-161  
**Description:** WLL FIXTURE  
**Material:** Acrylic+IRON  
**Finish :** Brushed Nickel  
**Height:** 98mm  
**Base Width:** 222mm  
**Wattage :** PLC18W\*1  
**Socket :** G24q-2  
**Shade size:** 220\*92\*268mm  
**Certificate :** ETL



# CAL LIGHTING

3625 E. Philadelphia St. Ontario CA. 91761 • Tel: 909.947.5200 • Fax:  
909.947.5673 • www.calighting.com • service@calighting.com •  
Specifications subject to change without notice

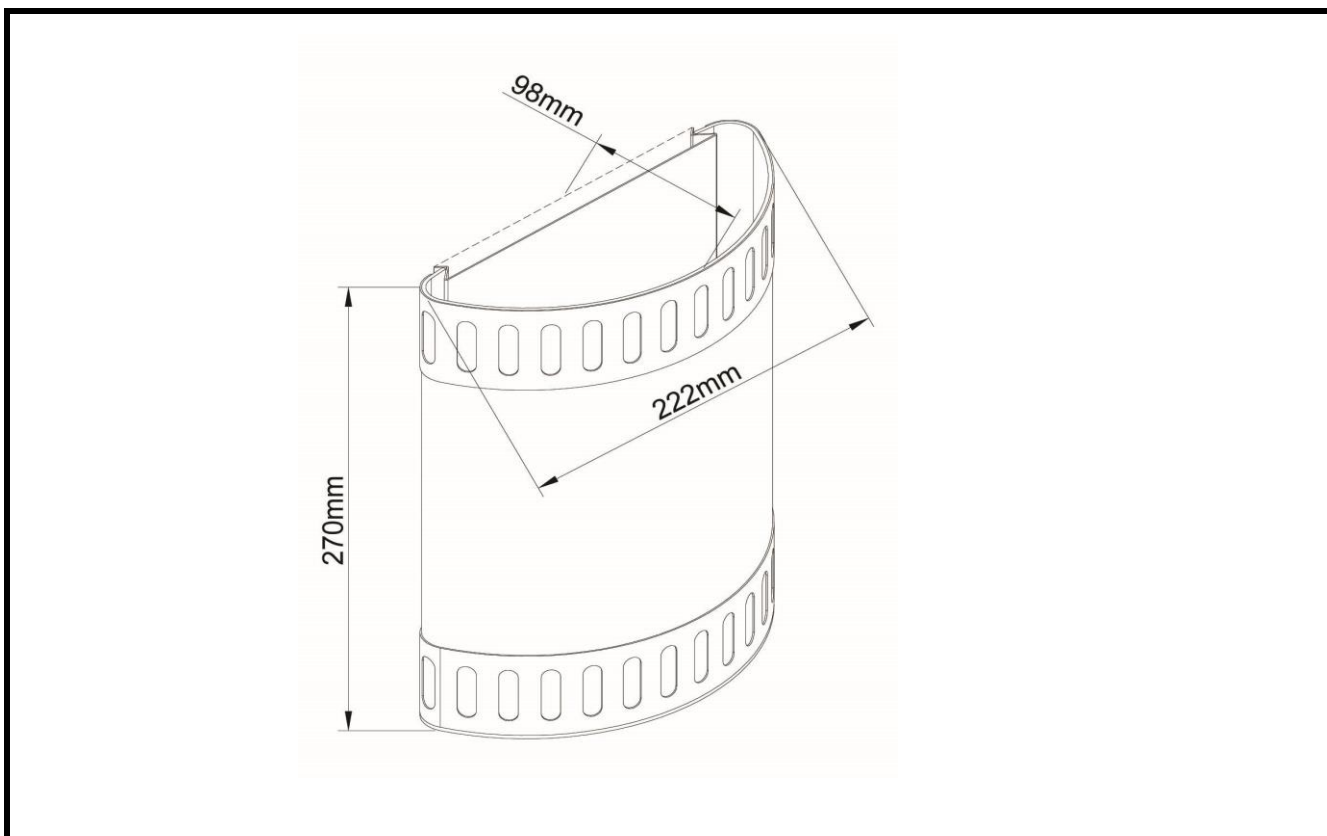
Type: \_\_\_\_\_

Project: \_\_\_\_\_

Catalog No.: \_\_\_\_\_

Lamp/Wattage: \_\_\_\_\_

## Drawing:



**Model No:** LA-161  
**Description:** 18W PLC wall lamp  
**Material:** Acrylic+IRON  
**Finish :** Brushed Nickel  
**Height:** 10 1/2"  
**Base Width:** 9"  
**Depth:** 3 7/8"  
**Wattage :** PLC26W\*1  
**Socket :** G24q-3  
**Shade size:** 10 1/2"x 9"x 3 7/8"  
**Certificate :** ETL