



CAL LIGHTING

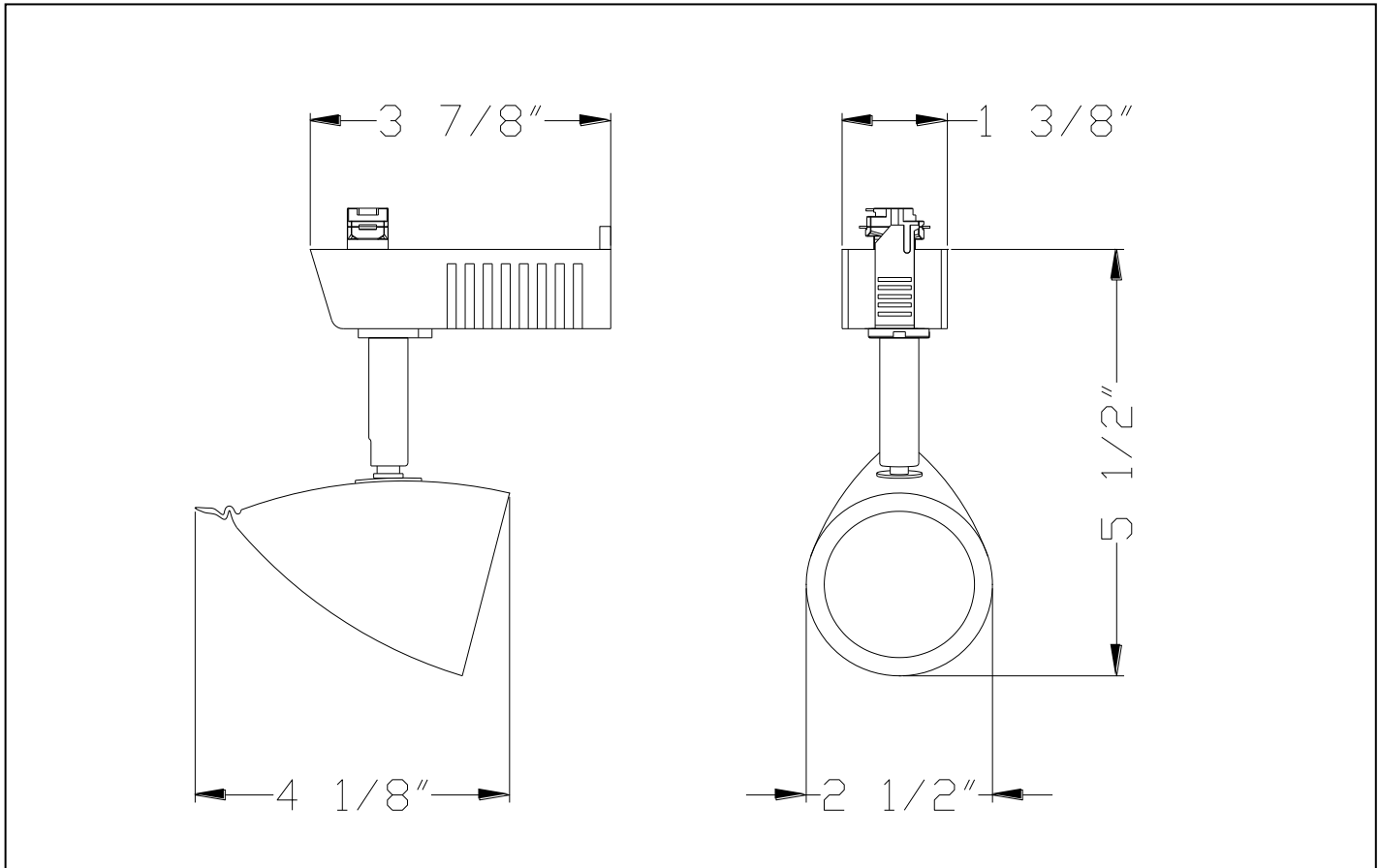
3625 E. Philadelphia St. Ontario CA. 91761 • Tel: 909.947.5200 • Fax:
909.947.5673 • www.calighting.com • service@calighting.com •
Specifications subject to change without notice

Type: _____

Project: _____

Catalog No.: _____

Lamp/Wattage: _____



- Model No. :** HT-906
- Rotation :** 355 degree
- Capability :** +90 degree from horizontal
- Bulb :** MR16 (halogen)
- Socket :** G5.3
- Voltage :** 12V
- Wattage :** 50W Max.
- Finish :** BK (black)
- Glass Finish:** BL (Blue)

Certificate : 