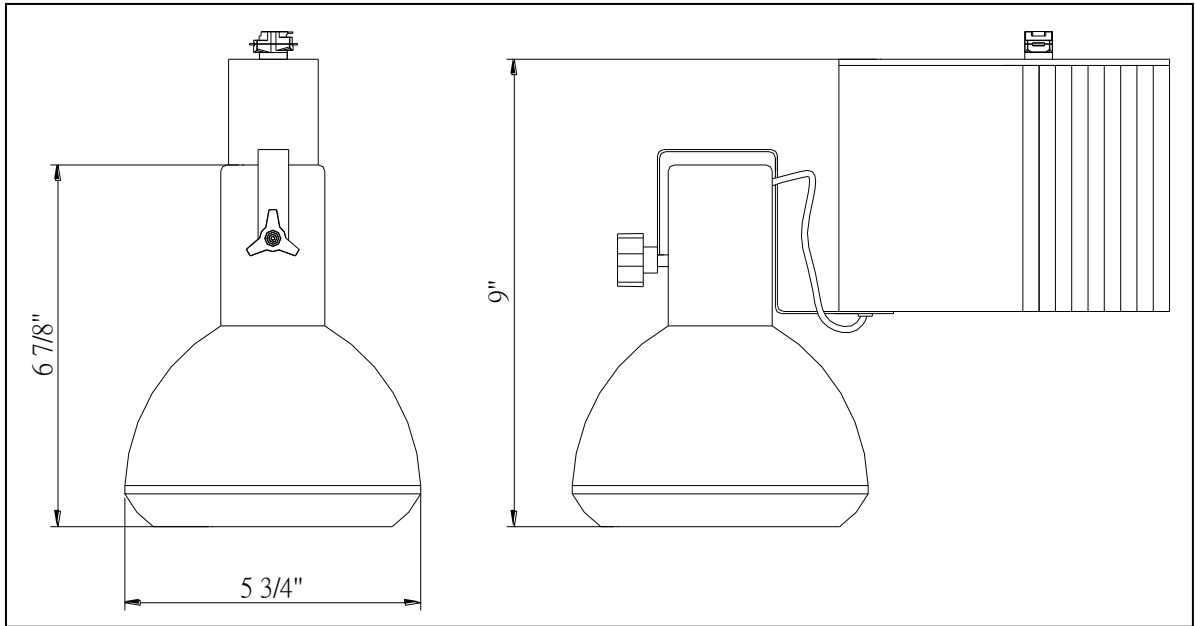




CAL LIGHTING

3625 E. Philadelphia St. Ontario CA. 91761. Tel: 909.947.5200. Fax:
909.947.5673. www.calighting.com. service@calighting.com.
Specifications subject to change without notice

Type: _____
Project: _____
Catalog No.: _____
Lamp/Wattage: _____



Model No. : HT-903

Rotation : 355 degree

Capability : ± 90 degree from horizontal

Bulb : HIDPAR38

Socket : Medium base

Voltage : 120V

Wattage : 100W Max.

Finish : BK (black)

Certificate :  US