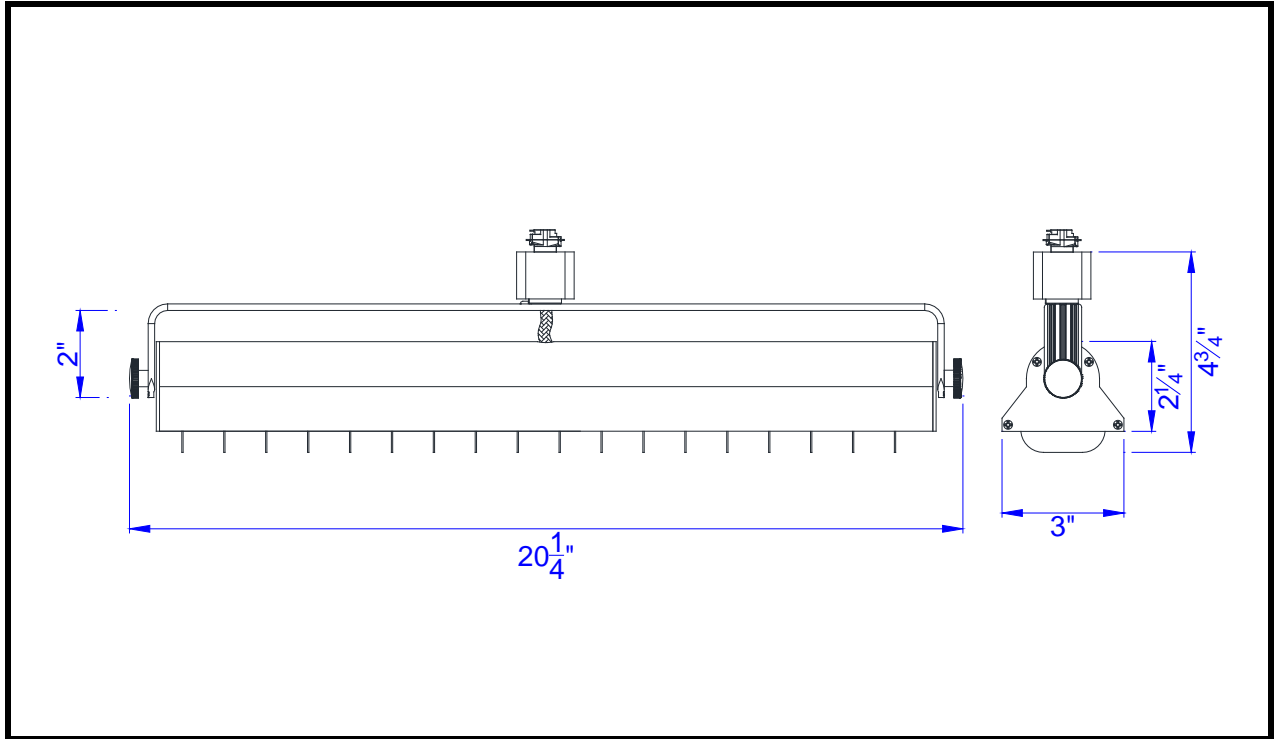




# CAL LIGHTING

3625 E. Philadelphia St. Ontario CA. 91761 • Tel: 909.947.5200 • Fax:  
909.947.5673 • www.calighting.com • service@calighting.com •  
Specifications subject to change without notice

Type: \_\_\_\_\_  
Project: \_\_\_\_\_  
Catalog No.: \_\_\_\_\_  
Lamp/Wattage: \_\_\_\_\_



- Model No. :** HT-633M  
**Description:** Dimmable Integrated LED Track Fixture  
**Material:** Metal  
**Finish :** Black  
**Rotation :** 355 degree  
**Capability :** +/-90 degree from horizontal  
**Voltage :** 120V  
**Wattage :** 40W  
**Dimming:** Dimmable,DVCL-153P/SCL-153P/AYCL-153P/CTCL-153P/DVCL-253P/  
GT-150/GTJ-250M (ALL ARE LUTRON BRAND)  
**Color Temp:** 4000K  
**Lumen :** 2640  
**CRI :** 80  
**Beam:** FLOOD  
**Efficacy:** 66  
**Rated Life :** 30,000 hours  
**Warranty:** Three Years  
**Certificate :**

