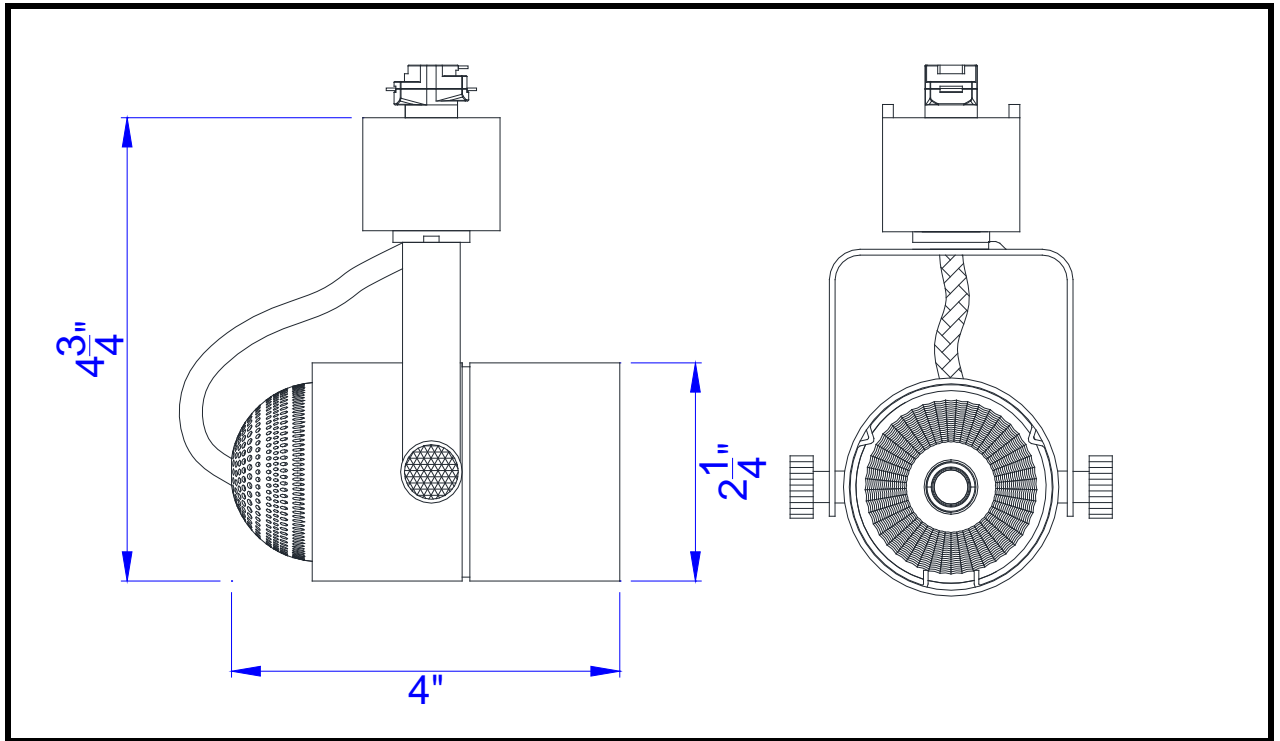




# CAL LIGHTING

3625 E. Philadelphia St. Ontario CA. 91761 • Tel: 909.947.5200 • Fax: 909.947.5673 • www.calighting.com • service@calighting.com • Specifications subject to change without notice

Type: \_\_\_\_\_  
Project: \_\_\_\_\_  
Catalog No.: \_\_\_\_\_  
Lamp/Wattage: \_\_\_\_\_



- Model No. :** HT-610
- Description:** Dimmable Integrated LED track fixture
- Material:** Metal
- Finish :** Dark Bronze
- Rotation :** 355 degree
- Capability :** 90 degree from horizontal
- Voltage :** 120V
- Wattage :** 10W
- Dimming:** Dimmable, DVCL-153P/SCL-153P/AYCL-153P/CTCL-153P/DVCL-253P/GT-150/GTJ-250M (ALL ARE LUTRON BRAND)
- Color Temp:** 3300K
- Lumen :** 650
- CRI :** 90
- Beam:** 24 degree
- Efficacy:** 65
- Rated Life :** 30,000 hours
- Warranty:** Three Years
- Certificate :**

