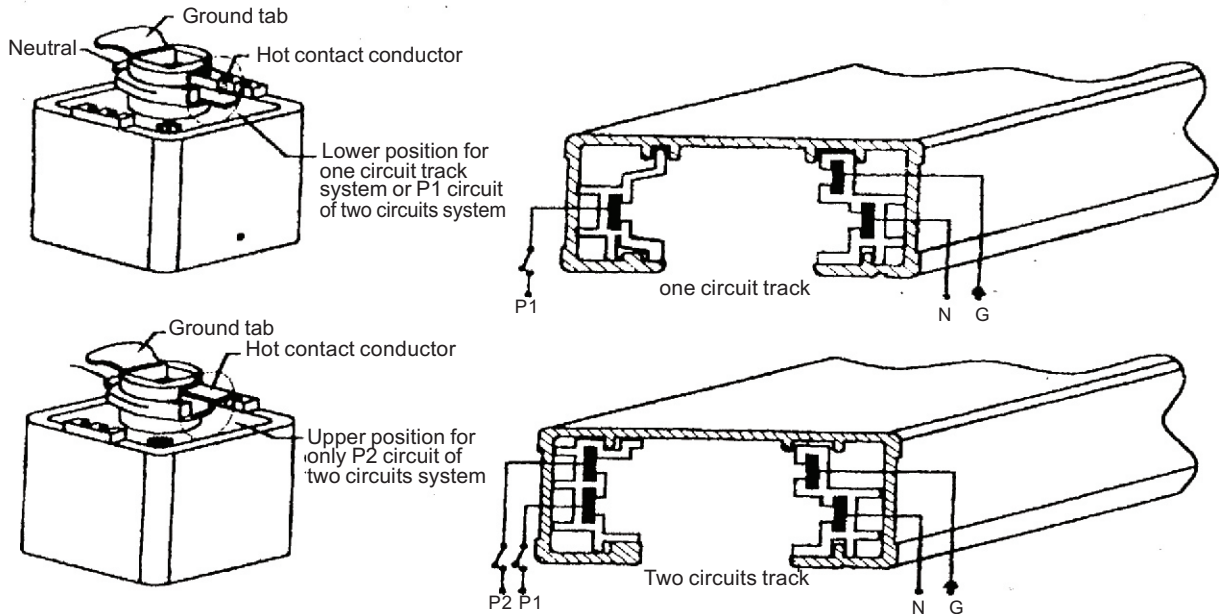


**CAUTION:** Before installing track head, make sure the hot contact conductor is on the right position.

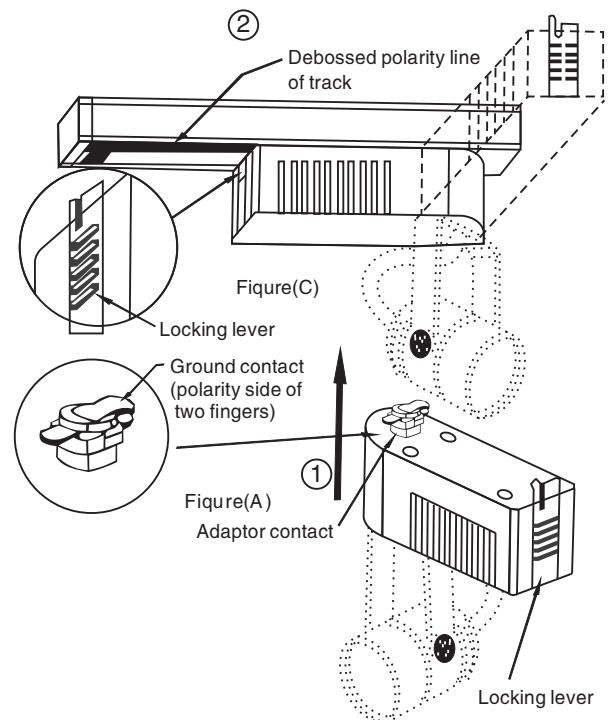
1. To use track head on one circuit track system, the hot contact conductor at the top of track head must always be in the lower position. To move the lever from the upper to the lower position, simply push lever down.
2. Two circuits track system is designed for use when two separately controlled circuits are needed on one section of track. Each circuit is rated for 2400 watts and will allow you to control two individual sets of fixtures.
3. To use track head on two circuits track system, the hot contact conductor at the top of track head should be in lower position for P1 circuit. For P2 circuit, move the lever from the lower to the upper position.

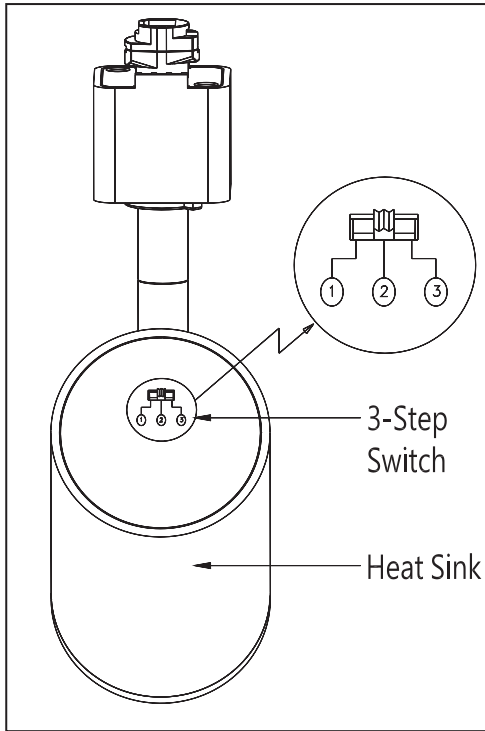


**SAVE THESE INSTRUCTIONS**

## IMPORTANT SAFETY INSTRUCTIONS FOR TRACK LIGHTING

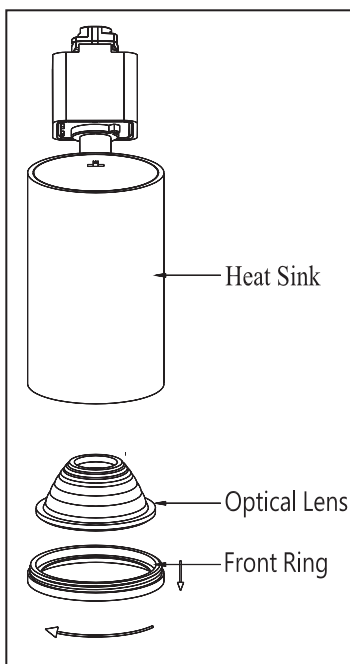
1. Turn off switch at main power source before installing any track of fitting.
2. Before installing lampholder, make sure to refer to the instruction on the backside.
3. Pull down the locking lever and insert "Adaptor contact" into the slot in the track.
4. Rotate adaptor 1/4 turn 90° to locked position. **NOTE:** Polarity line of lampholder (Grounding tab, polarity side of two fingers) must point to track debossed polarity line so that the debossed polarity line of the track can be aligned with the polarity line (side) of adaptor.
5. To remove, depress the locking lever and turn 90°



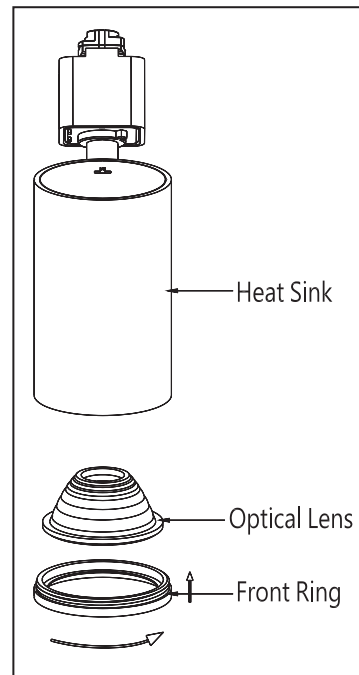


To have your desired Color Temperature by sliding the 3-Step Switch to location of 1.2.3 for different Color Temperature.

## HOW TO CHANGE THE OPTICAL LENS IN DIFFERENT ANGLES

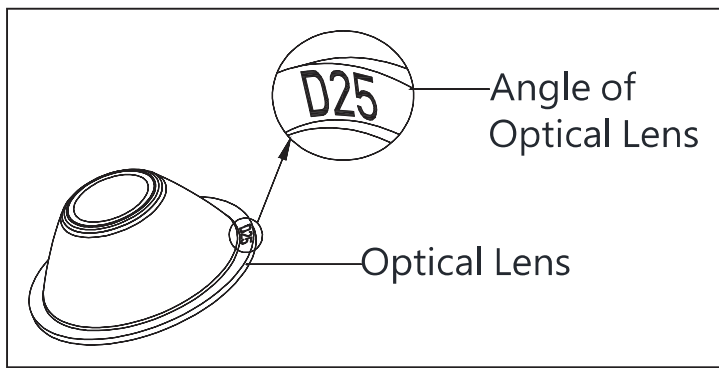


1. Unscrew the Front Ring counterclockwise from the Heat Sink.
2. Take out the Optical Lens from Front Ring.



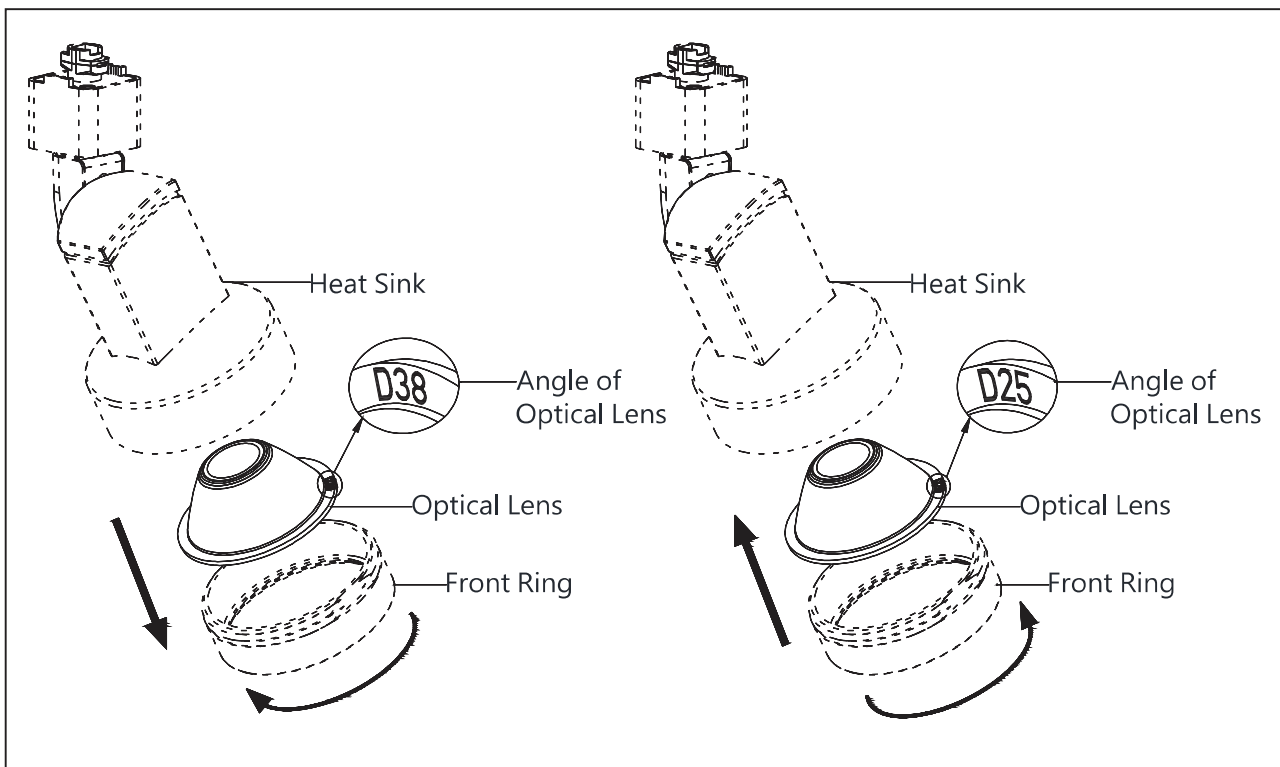
3. Put Optical Lens in different angle inside the Front Ring.
4. Rotate the Front Ring onto the Heat Sink clockwise until it is tight.

## HOW TO IDENTIFY THE ANGLE OF OPTICAL LENS.



\*Two digits on the edge of the optical lens ( as the picture shows ) represent the angle of this lens.  
**For example :** D25 represents an angle of 25.

## HOW TO CHANGE THE OPTICAL LENS TO A DIFFERENT ANGLE.



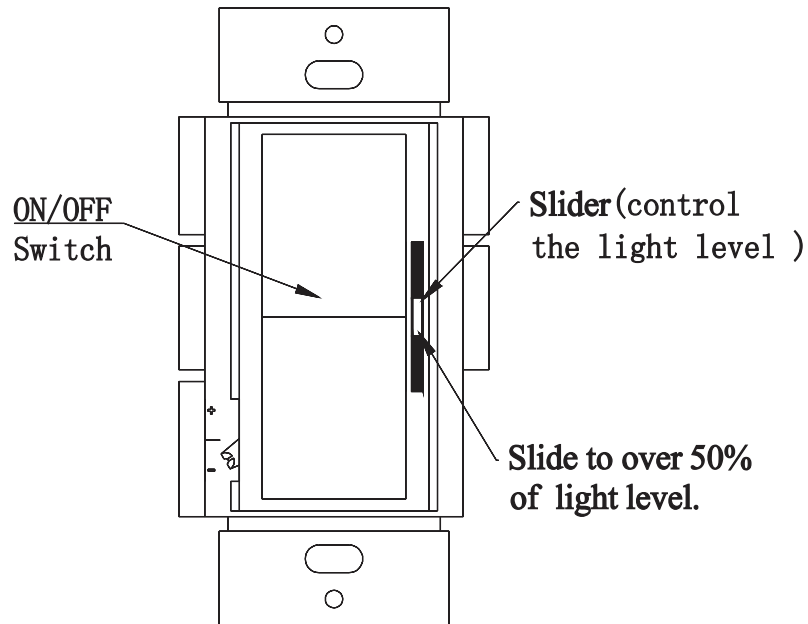
1. Unscrew the Front Ring counterclockwise from the Heat Sink.
2. Remove the Optical Lens from the Front Ring
3. Identify the angle replacement of the Optical Lens.
4. Lay the replacement Optical Lens inside the Front Ring.
5. Rotate the Front Ring onto the Heat Sink clockwise until it is tight.

**NOTE :** Check or consult with your suppliers if you want to change the optical Lens to a different angle.

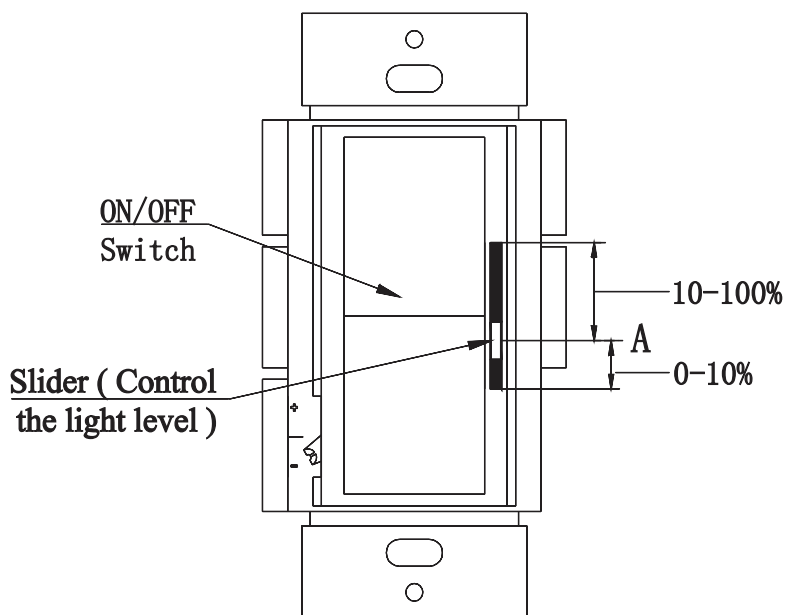
**\*Pls be noted that not every Optical lens of LED fixtures can be removed and replaced with a different angle. Contact your suppliers for more detailed information.**

## SUGGESTION TO USE THE DIMMERS :

Prior to turning on the dimmer switch, adjust the slider to the position over 50% of light level like the picture shows below and then turn on the dimmer switch and adjust the slider to dim. If you turn on the dimmer switch at the lowest light level and the head does not light up or when you are dimming, dimming is not fluent. We suggest that you adjust the slider to the highest level and then slide down.



Due to different devices of LED products, for some LED products, when slider of dimmer is adjusted to the light level between 0%-10%, it might cause flickering. When slider is adjusted below point A, it means that the output wattage of the light begins to decrease below 10%. If light flickers, it is normal. Please adjust the slider over the point of A between 10% -100% and then it is back to the normal.



**Dimmer**