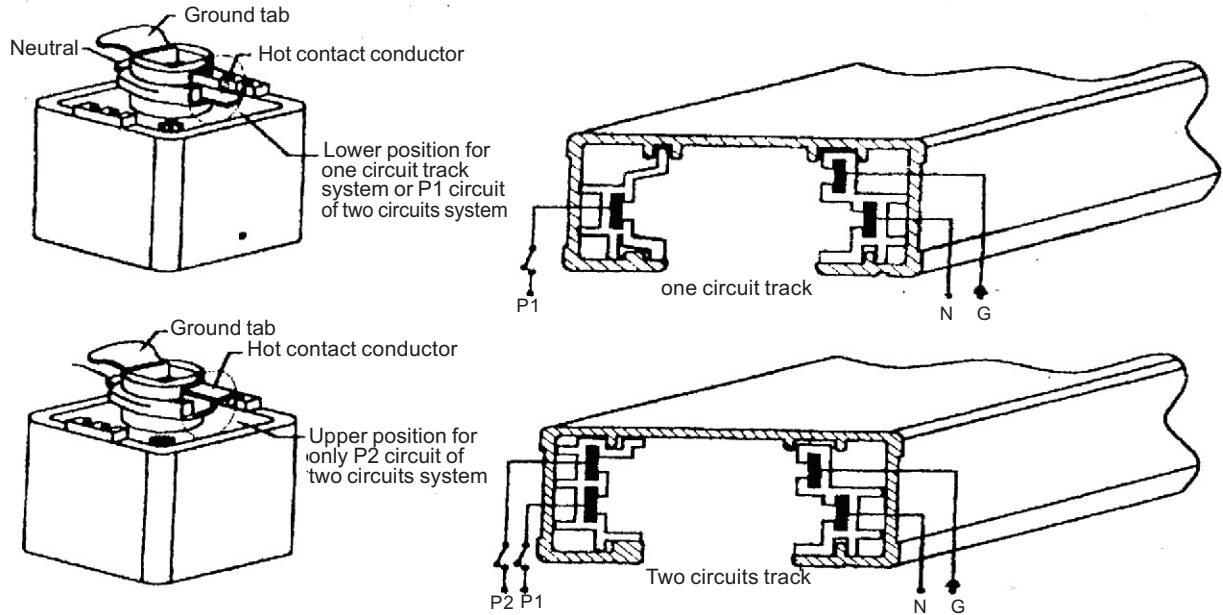


CAUTION: Before installing track head, make sure the hot contact conductor is on the right position.

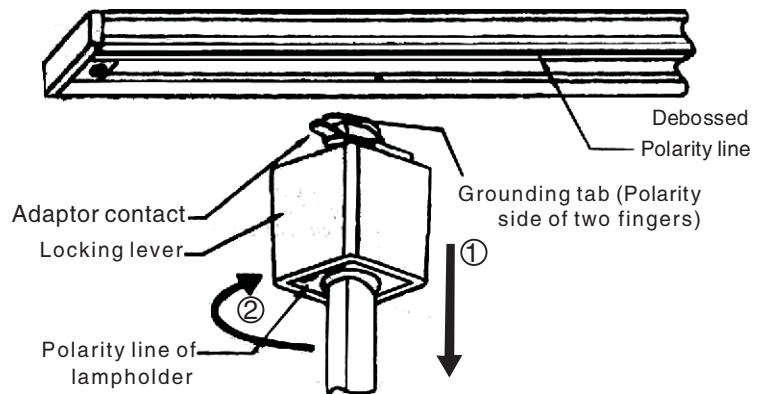
1. To use track head on one circuit track system, the hot contact conductor at the top of track head must always be in the lower position. To move the lever from the upper to the lower position, simply push lever down.
2. Two circuits track system is designed for use when two separately controlled circuits are needed on one section of track. Each circuit is rated for 2400 watts and will allow you to control two individual sets of fixtures.
3. To use track head on two circuits track system, the hot contact conductor at the top of track head should be in lower position for P1 circuit. For P2 circuit, move the lever from the lower to the upper position.



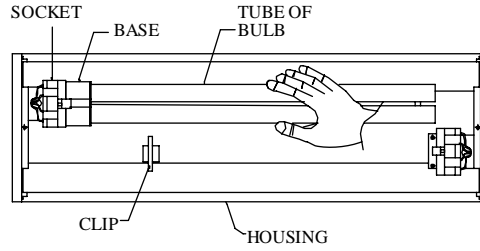
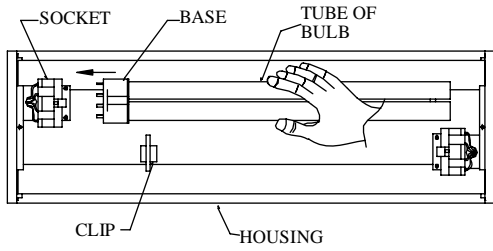
SAVE THESE INSTRUCTIONS

IMPORTANT SAFETY INSTRUCTIONS FOR TRACK LIGHTING

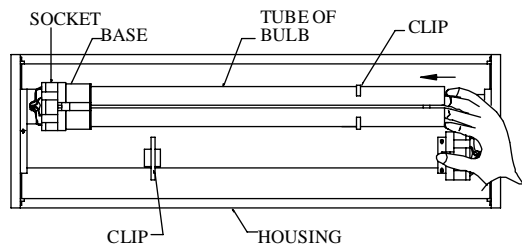
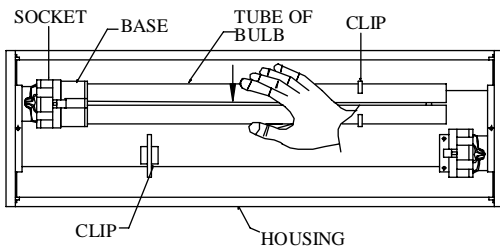
1. Turn off switch at main power source before installing any track or fitting.
2. Before installing lampholder, make sure to refer to the instruction on the back side.
3. Pull down the locking lever and insert "Adaptor contact" into the slot in the track.
4. Rotate adaptor 1/4 turn 90° to locked position. **NOTE:** Polarity line of lampholder (Grounding tab, polarity side of two fingers) must point to track debossed polarity line so that the debossed polarity line of the track can be aligned with the polarity line (side) of adaptor.
5. To remove, depress the locking lever and turn 90°



IMPORTANT INSTALLATION INSTRUCTION OF BULB



1. Hold the tube of the bulb and align the bulb with socket..
2. Insert the base of bulb into socket until base locks in the socket.



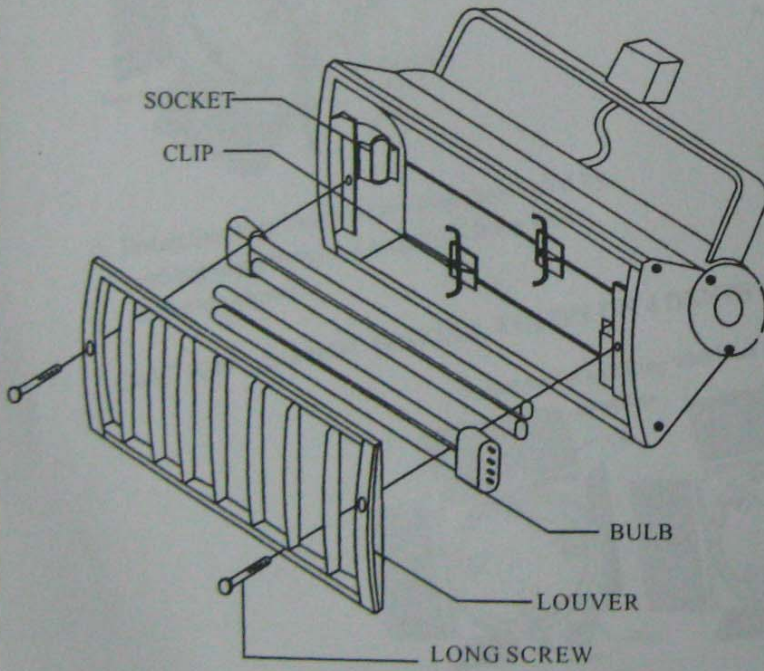
3. Press down the tube of bulb so the tube of bulb is fixed in location by clip.
4. Push the top of tube of bulb to socket to make sure base of bulb is fully contact with socket.

WARNING : TO AVOID RISK OF FIRE AND BURNING,MAKE SURE BASE OF BULB LOCKS IN THE SOCKET AND TUBE OF BULB IS FIXED IN LOCATION BY CLIP.

TO REMOVE THE BULB :

Lift the tube of bulb out of clip and pull the bulb softly so that bulb separates from the socket.

INSTALLATION INSTRUCTION



STEP 1 :

Release long screws and take out louver

STEP 2 :

Insert the bulb into the socket, and fix the bulb with clips in right position.

STEP 3 :

Install the louver on the fixture by tightening long screws.