



CAL LIGHTING

3625 E. Philadelphia St. Ontario CA. 91761. Tel: 909.947.5200. Fax: 909.947.5673. www.calighting.com. service@calighting.com.
Specifications subject to change without notice

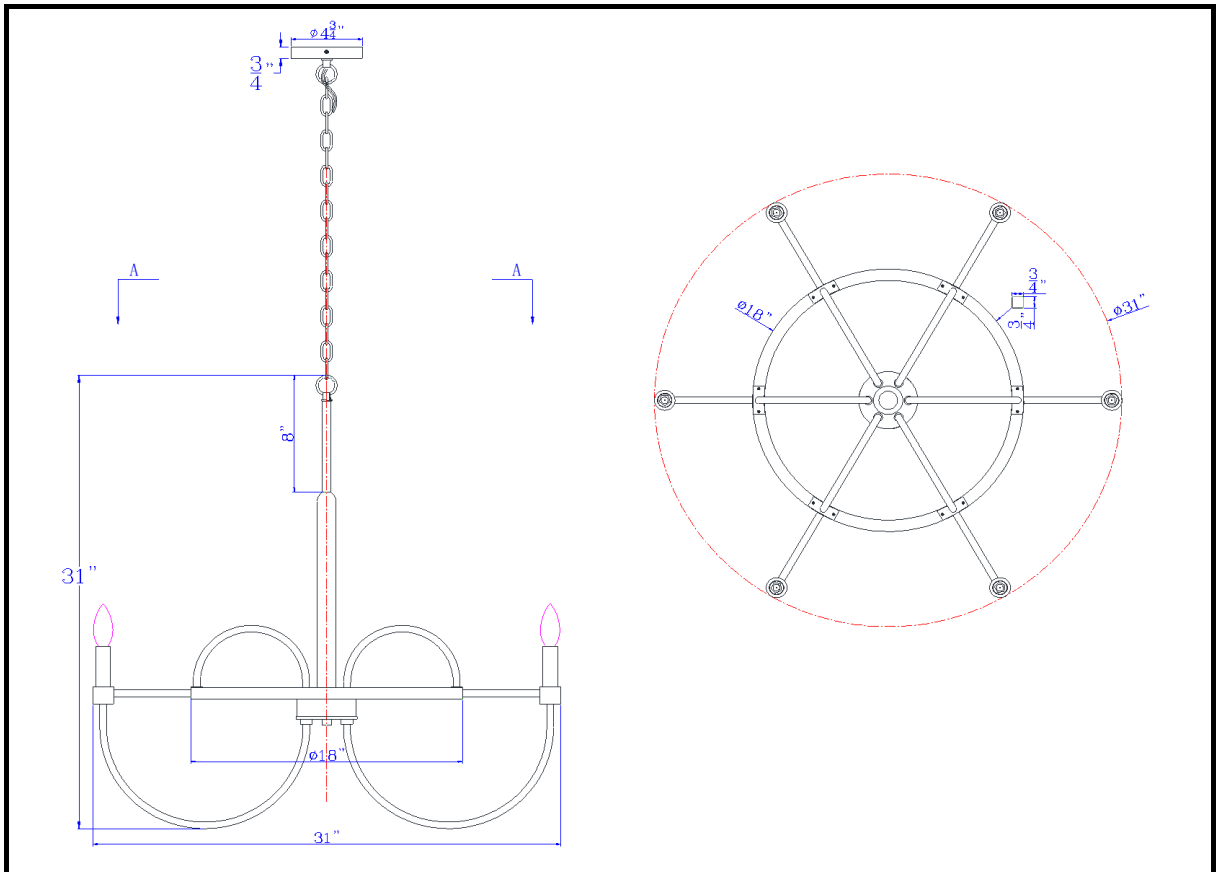
Type: _____

Project: _____

Catalog No.: **FX-3813-6**

Lamp/Wattage: _____

Drawing:



Model No: FX-3813-6
Description: Seagrove 60W x 6 metal chandelier
Material: Metal
Finish : Antique Brass/charcoal grey/Wood
Height: 31"
Width: 31"
Reach: 31"
Canopy: Dia. 4 3/4"
Wattage : 60W X 6
Socket : Candelabra Base (E12)
Bulb: Incandescent
Chain Lenth: 6'
Wire Length: 10'
Wire Color: Black
Shade No:
Material:
Shade size:

Certificate :

