



CAL LIGHTING

3625 E. Philadelphia St. Ontario CA. 91761. Tel: 909.947.5200. Fax:
909.947.5673. www.calighting.com. service@calighting.com.
Specifications subject to change without notice

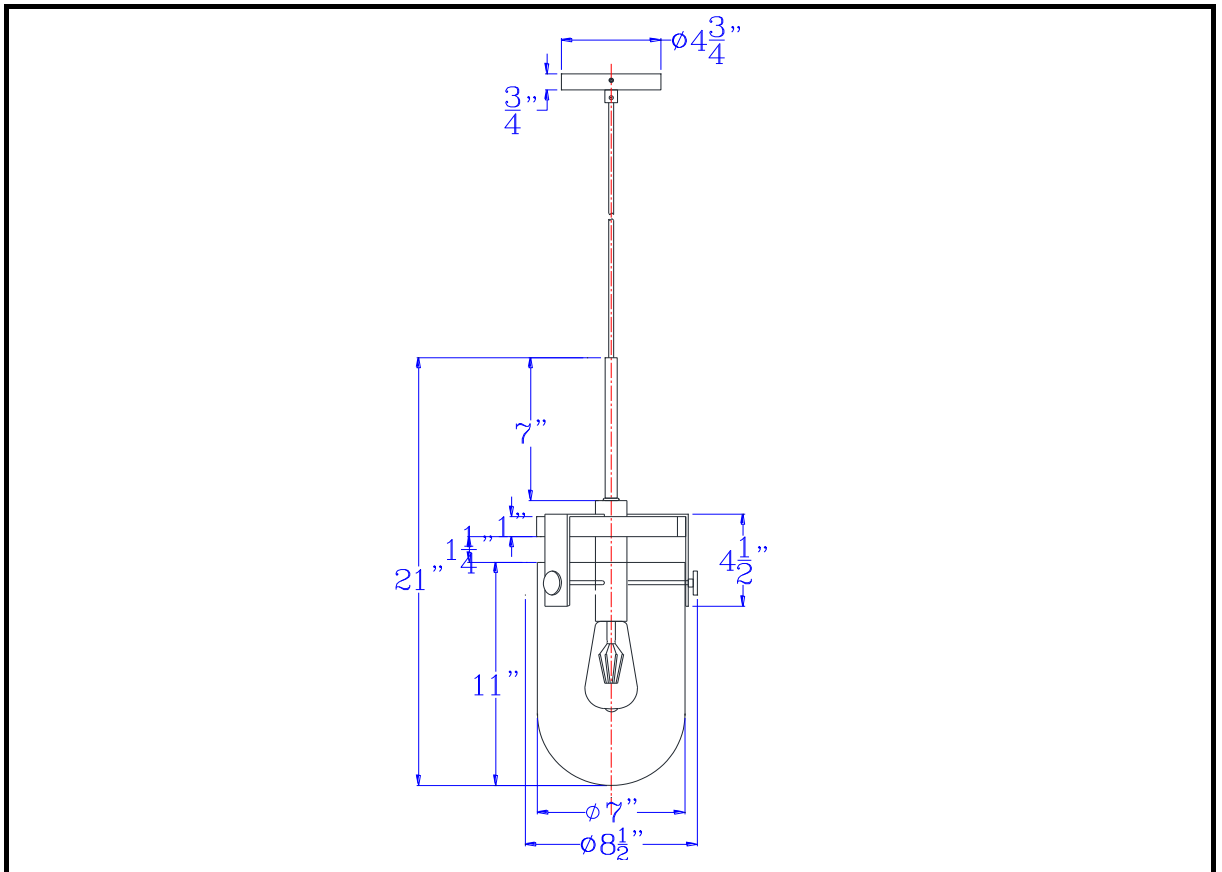
Type: _____

Project: _____

Catalog No.: **FX-3812-1**

Lamp/Wattage: _____

Drawing:



Model No: FX-3812-1
Description: Stovall 60W metal/glass/birch wood pendant light
Material: Metal
Finish : Antique Brass/oak
Height: 21"
Width: 8 1/2"
Reach: 8 1/2"
Canopy: 4 3/4"
Wattage : 60W
Socket : Medium Base (E26)
Bulb: T type or A type
Wire Length: 6'
Wire Color: Black
Shade No:
Material: Glass
Shade size: Dia.7" H11"

Certificate :

