

# ASSEMBLY INSTRUCTIONS

ITEM NO:FX-3805-1

## IMPORTANT SAFETY INSTRUCTIONS:

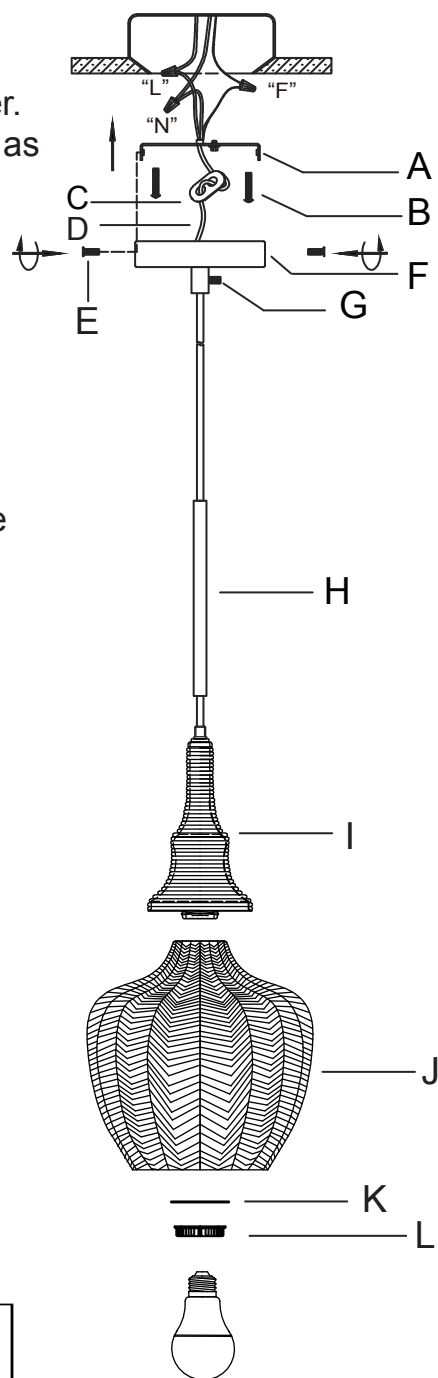
These instructions are provided for your safety. It is very important that they are read completely before beginning the installation of your fixture.

**DIRECT WIRE FIXTURES:WE STRONGLY RECOMMEND INSTALLATION BY A LICENSED ELECTRICIAN.**

## TO ASSEMBLE:

Shut off the main electrical supply at fuse box/circuit breaker. Remove all parts from carton. Do not throw away any parts as shown.

1. Install the mounting bracket (A) to junction box with screw (B).
2. Put the wire of the lighting fixture (D) through the canopy (F) and adjust the wire (D) to desired length and secure it with plastic clip (C) and hex screw (G).
3. Put the wire (D) through the bracket (A).
4. Connect the ground wire "⊖", cathode wire "N" in white and anode wire "L" in black to the supply wires in junction box. Install canopy (F) to the bracket by screws (E).
5. Screw the pole (H) clockwise onto socket (I) to tighten.
6. Place shade (J) and plastic piece (K) onto socket (I), Then screw socket ring (L) clockwise into the shade (J) to tighten.
7. Turn on the power and enjoy!



**USE MAX 60 WATTAGE TYPE A BULB  
(NOT INCLUDED)**

To clean, wipe the fixture with a soft, dry cloth. Avoid the use of harsh or abrasive chemicals as they may damage the finish .

**SAVE THESE INSTRUCTIONS FOR FUTURE REFERENCE.**