

ASSEMBLY INSTRUCTIONS

ITEM NO: FX-3803-1

CAREFULLY PLACE ALL PARTS ON A SMOOTH SURFACE AND LAY THEM UP PER THE SKETCH BELOW.

** THESE INSTRUCTIONS ARE PROVIDED FOR YOUR SAFETY PURPOSE AND IT IS VERY IMPORTANT THAT THEY ARE READ COMPLETELY BEFORE BEGINNING THE INSTALLATION OF YOUR FIXTURE.*

** DIRECT WIRE FIXTURES: WE STRONGLY RECOMMEND INSTALLATION BY A LICENSED ELECTRICIAN.*

SHUT OFF THE MAIN ELECTRICAL SUPPLY AT FUSE BOX/CIRCUIT BREAKER.

1. SCREW POLE (F) TO LIGHTING BODY (G).
2. AFFIX MOUNTING STRIP (A) TO JUNCTION BOX WITH MOUNTING SCREW (B).
3. PUT THE WIRES THROUGH THE CANOPY (D) AND MOUNTING STRIP (A) AND MAKE WIRE CONNECTIONS:
CONNECT THE GREEN GROUND WIRE "⌚" TO THE SUPPLY WIRE, CATHODE WIRE "N" IN WHITE TO THE SUPPLY WIRE, ANODE WIRE "L" IN BLACK TO THE SUPPLY WIRE IN THE JUNCTION BOX AS ILLUSTRATED WITH WIRE NUTS.
4. LEAVE DESIRED LENGTH OF THE WIRE OUTSIDE THE CANOPY AND FIX THE WIRE WITH THE PLASTIC RING INSIDE THE CANOPY AND SET SCREW (E).
5. ATTACH THE CANOPY (D) TO THE MOUNTING STRIP (A) AND TIGHTEN WITH SIDE SCREWS (C).
6. PUT THE SHADE (H) ON THE SOCKET OF (G) AND TIGHTEN WITH SOCKET RING (I).
7. INSTALL RECOMMENDED BULBS (J) (NOT INCLUDED IN THIS PACKAGE).

TURN OF POWER AND ENJOY!

TO REPLACE THE BULB:

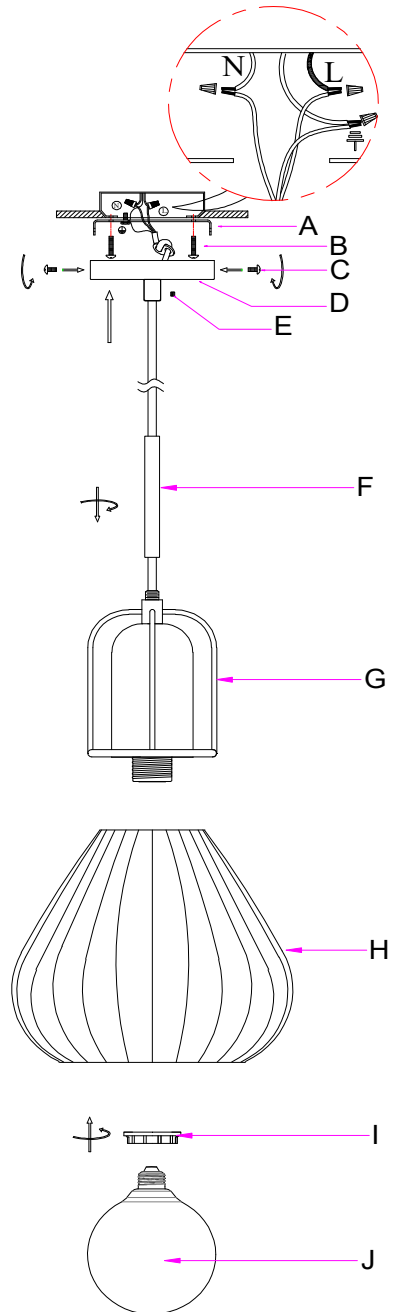
TURN OFF POWER (UNPLUG FROM THE WALL OUTLET) BEFORE REPLACING THE BULB(S), MAKING SURE THE BULB(S) HAVE SUFFICIENT TIME TO COOL DOWN.

DO NOT SUBJECT THIS FIXTURE TO ANY SHOCK WHILE LIT AS SHATTERING OF BULBS MAY RESULT .

CARE INSTRUCTIONS:

TO CLEAN, USE A SOFT CLOTH ONLY. DO NOT USE ANY CHEMICAL OR ABRASIVE CLEANERS.

SAVE THESE INSTRUCTIONS FOR FUTURE REFERENCE.



**Use Max 60W Type A or G
bulb (Bulbs Not Included)**