



CAL LIGHTING

3625 E. Philadelphia St. Ontario CA. 91761. Tel: 909.947.5200. Fax: 909.947.5673. www.calighting.com. service@calighting.com.
Specifications subject to change without notice

Type: _____

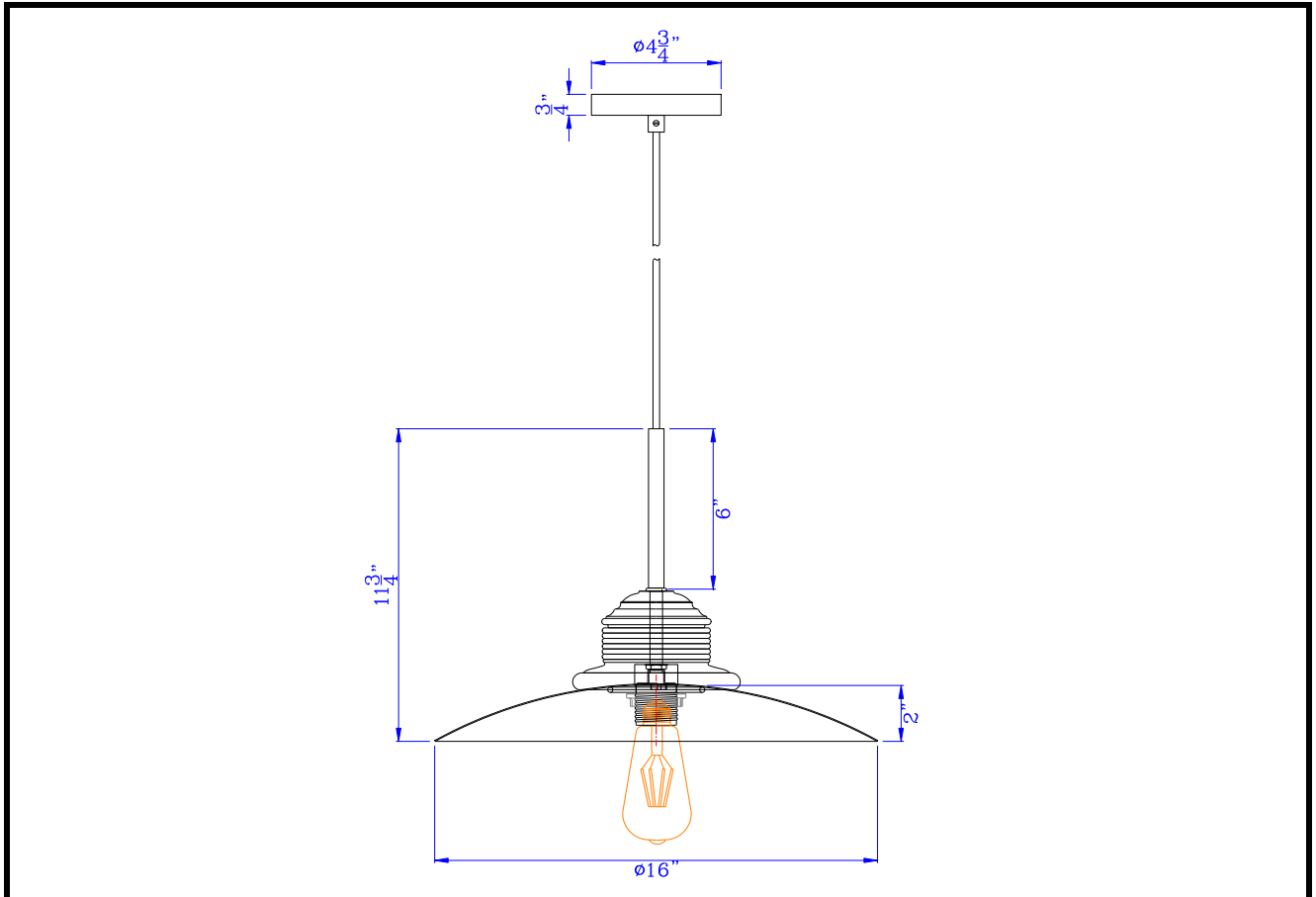
Project: _____

Catalog No.: _____

FX-3802-1

Lamp/Wattage: _____

Drawing:



- Model No:** FX-3802-1
Description: 60W Mineola metal mini pendant with burlap design
Material: Metal
Finish : Charcoal Grey/Burlap
Height: 11 3/4"
Width: 16"
Reach: 16"
Canopy: Dia. 4 3/4"
Wattage : 60W
Socket : Medium Base (E26)
Bulb: G or A type
Wire Length: 6'
Wire Color: Black
Shade No:
Material: Metal
Shade size: Dia.6" H2"

Certificate :

