

ASSEMBLY INSTRUCTIONS

ITEM NO: FX-3801-3C

CAREFULLY PLACE ALL PARTS ON A SMOOTH SURFACE AND LAY THEM UP PER THE SKETCH BELOW.

** THESE INSTRUCTIONS ARE PROVIDED FOR YOUR SAFETY PURPOSE AND IT IS VERY IMPORTANT THAT THEY ARE READ COMPLETELY BEFORE BEGINNING THE INSTALLATION OF YOUR FIXTURE.*

** DIRECT WIRE FIXTURES: WE STRONGLY RECOMMEND INSTALLATION BY A LICENSED ELECTRICIAN.*

SHUT OFF THE MAIN ELECTRICAL SUPPLY AT FUSE BOX/CIRCUIT BREAKER.

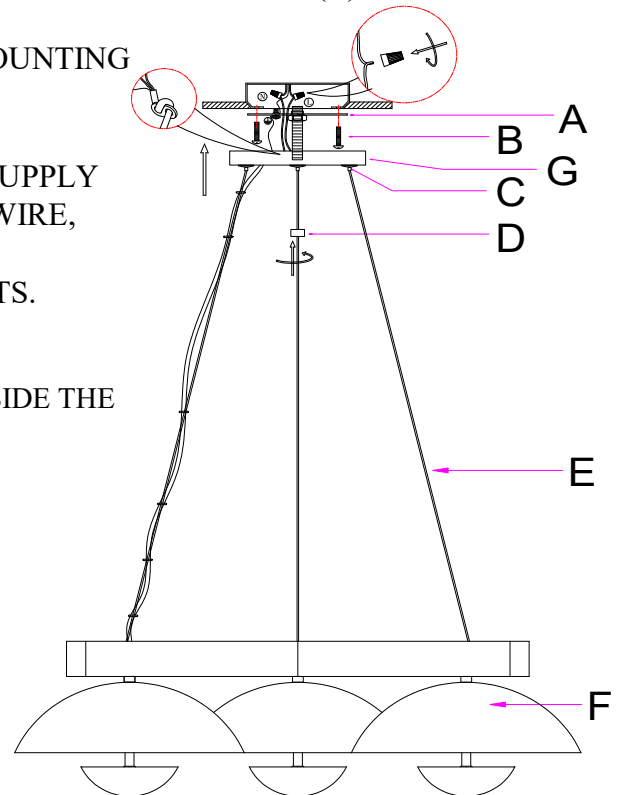
1. AFFIX MOUNTING STRIP (A) TO JUNCTION BOX WITH MOUNTING SCREW (B).

2. PUT THE WIRES THROUGH THE CANOPY (D) AND MOUNTING STRIP (A) AND MAKE WIRE CONNECTIONS.

3. CONNECT THE GREEN GROUND WIRE "G" TO THE SUPPLY WIRE, CATHODE WIRE "N" IN WHITE TO THE SUPPLY WIRE, ANODE WIRE "L" IN BLACK TO THE SUPPLY WIRE IN THE JUNCTION BOX AS ILLUSTRATED WITH WIRE NUTS.

4. PUSH KNOB (C) TO LOOSE THE METAL WIRE AND LEAVE DESIRED LENGTH OF THE WIRE/METAL WIRE OUTSIDE THE CANOPY AND FIX THE WIRE WITH THE PLASTIC RING INSIDE THE CANOPY. ALIGN THE CANOPY (G) TO THE JUNCTION BOX AND TIGHTEN WITH KNOB (D).

ENJOY YOUR LIGHT!



**Use Max 15WX3 LED bulb
(Bulbs Included)**

*** This LED light provides low maintenance service with no bulbs to change.***

TURN OF POWER AND ENJOY!

DO NOT SUBJECT THIS FIXTURE TO ANY SHOCK WHILE LIT AS SHATTERING OF BULBS MAY RESULT .

CARE INSTRUCTIONS:

TO CLEAN, USE A SOFT CLOTH ONLY. DO NOT USE ANY CHEMICAL OR ABRASIVE CLEANERS.

SAVE THESE INSTRUCTIONS FOR FUTURE REFERENCE.