



# CAL LIGHTING

3625 E. Philadelphia St. Ontario CA. 91761. Tel: 909.947.5200. Fax: 909.947.5673. www.calighting.com. service@calighting.com.  
Specifications subject to change without notice

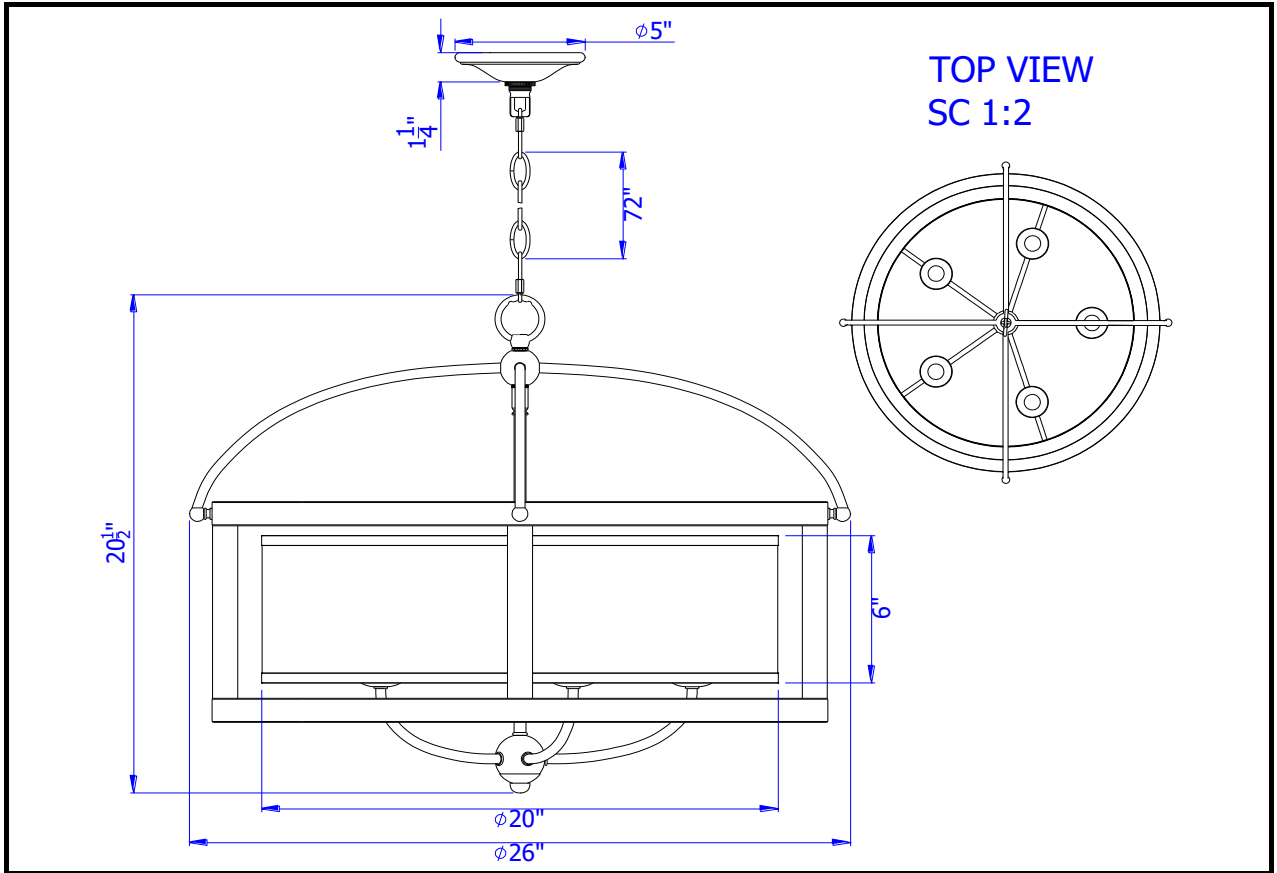
Type: \_\_\_\_\_

Project: \_\_\_\_\_

Catalog No.: **FX-3781-5**

Lamp/Wattage: \_\_\_\_\_

## Drawing:



- Model No:** FX-3781-5  
**Description:** Palencia rubber wood round chandelier with organza shade  
**Material:** Wood  
**Finish :** Distressed oak  
**Height:** 20 1/2"  
**Width:** 26"  
**Reach:** 26"  
**Wattage :** 60W X 5  
**Socket :** Candelabra Base (E26)  
**Bulb:** Incandesent,CFL  
**Chain Length:** 6'  
**Wire Length:** 10'  
**Wire Color:** Black  
**Shade No:**  
**Material:** Organza  
**Shade size:** 20"X20"X6"

**Certificate :**

