



CAL LIGHTING

3625 E. Philadelphia St. Ontario CA. 91761. Tel: 909.947.5200. Fax: 909.947.5673. www.calighting.com. service@calighting.com.
Specifications subject to change without notice

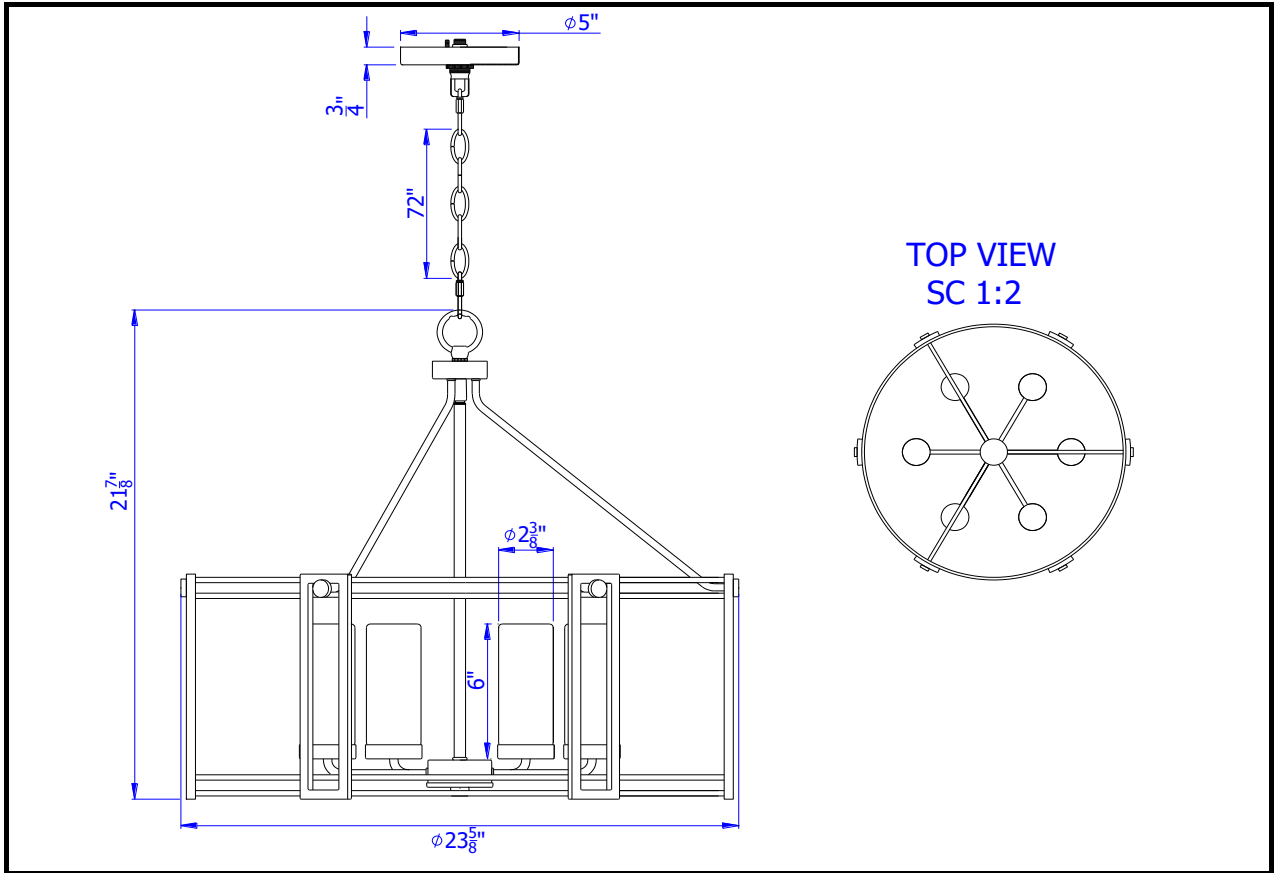
Type: _____

Project: _____

Catalog No.: **FX-3777-6**

Lamp/Wattage: _____

Drawing:



Model No: FX-3777-6
Description: Luton cage metal chandelier with glass shades
Material: Metal
Finish : Iron
Height: 21 7/8"
Width: 23 5/8"
Reach: 23 5/8"
Wattage : 60W X 6
Socket : Medium Base (E26)
Bulb: Incandesent, CFL
Chain Length: 6'
Wire Length: 10'
Wire Color: Black
Shade No:
Material: Glass
Shade size: 2 3/8"X 2 3/8"X6"

Certificate :

