



CAL LIGHTING

3625 E. Philadelphia St. Ontario CA. 91761. Tel: 909.947.5200. Fax: 909.947.5673. www.calighting.com. service@calighting.com.
Specifications subject to change without notice

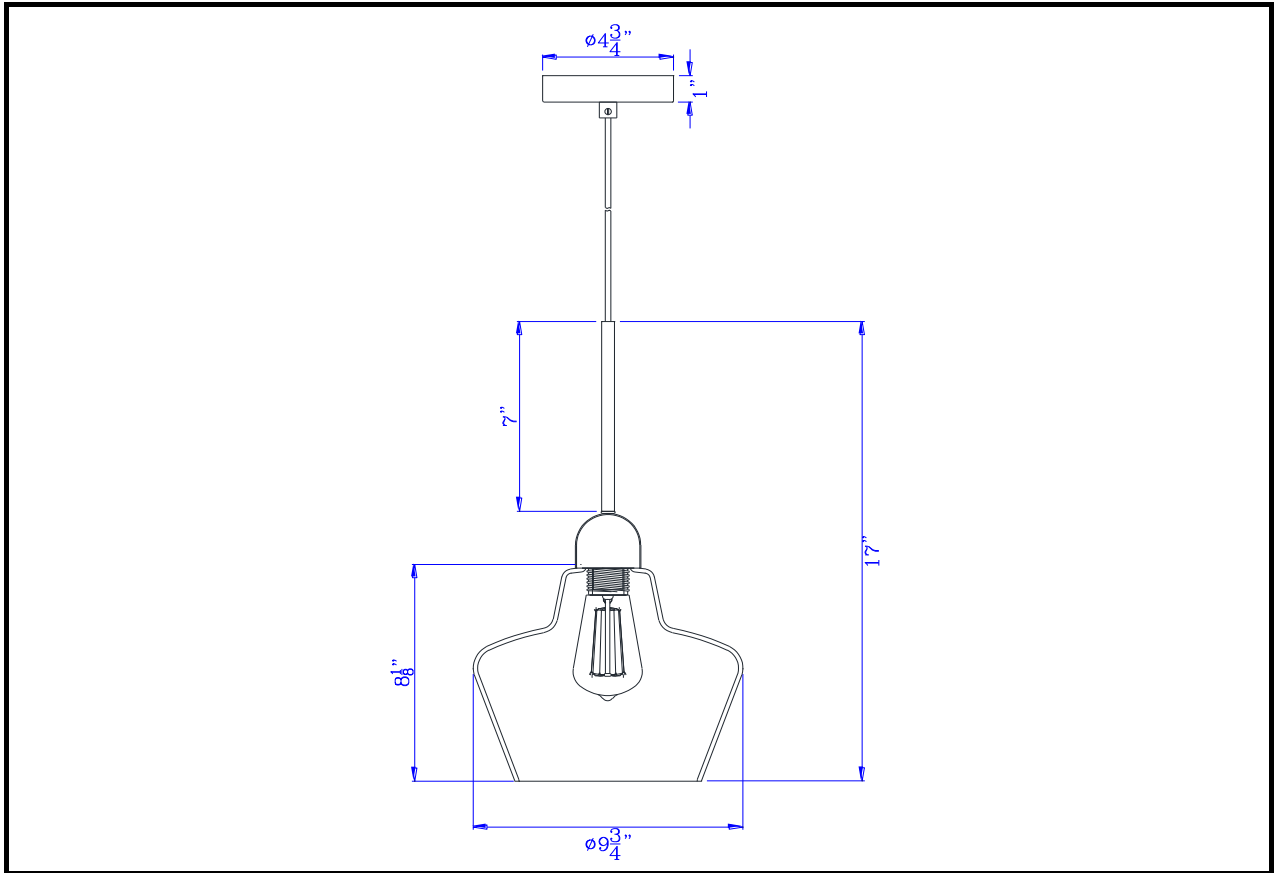
Type: _____

Project: _____

Catalog No.: **FX-3771-1**

Lamp/Wattage: _____

Drawing:



Model No: FX-3771-1
Description: Brockton Glass Pendant Light
Material: Glass
Finish : Matte Black
Height: 17"
Width: 9 3/4"
Reach: 9 3/4"
Wattage : 40W
Socket : Medium Base (E26)
Bulb: Incandescent
Chain Length:
Wire Length: 6'
Wire Color: Black
Shade No:
Material: Glass
Shade size: Dia. 9 3/4" H 8 1/8"

Certificate : 