



# CAL LIGHTING

3625 E. Philadelphia St. Ontario CA. 91761. Tel: 909.947.5200. Fax: 909.947.5673. www.calighting.com. service@calighting.com.  
Specifications subject to change without notice

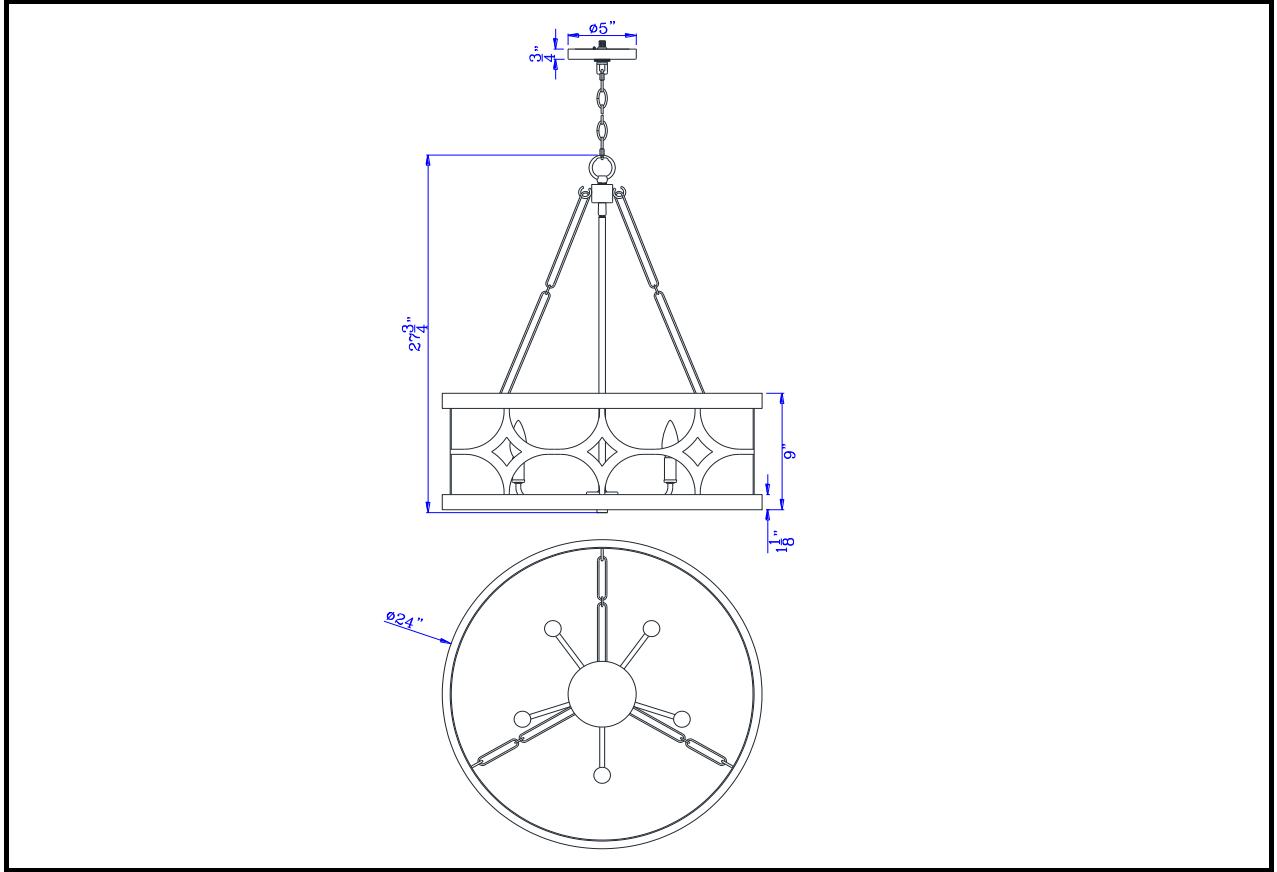
Type: \_\_\_\_\_

Project: \_\_\_\_\_

Catalog No.: **FX-3768-5**

Lamp/Wattage: \_\_\_\_\_

## Drawing:



- Model No:** FX-3768-5
- Description:** Abingdon Laser Cut Metal Chandelier
- Material:** Metal
- Finish :** Brushed Steel/Oak
- Height:** 27 3/4"
- Width:** 24"
- Reach:** 24"
- Wattage :** 60W x 5
- Socket :** Candelabra Base (E12)
- Bulb:** Incandescent
- Chain Length:** 6'
- Wire Length:** 10'
- Wire Color:** Silver
- Shade No:**
- Material:**
- Shade size:**

**Certificate :**

