



CAL LIGHTING

3625 E. Philadelphia St. Ontario CA. 91761 • Tel: 909.947.5200 • Fax:
909.947.5673 • www.calighting.com • service@calighting.com •
Specifications subject to change without notice

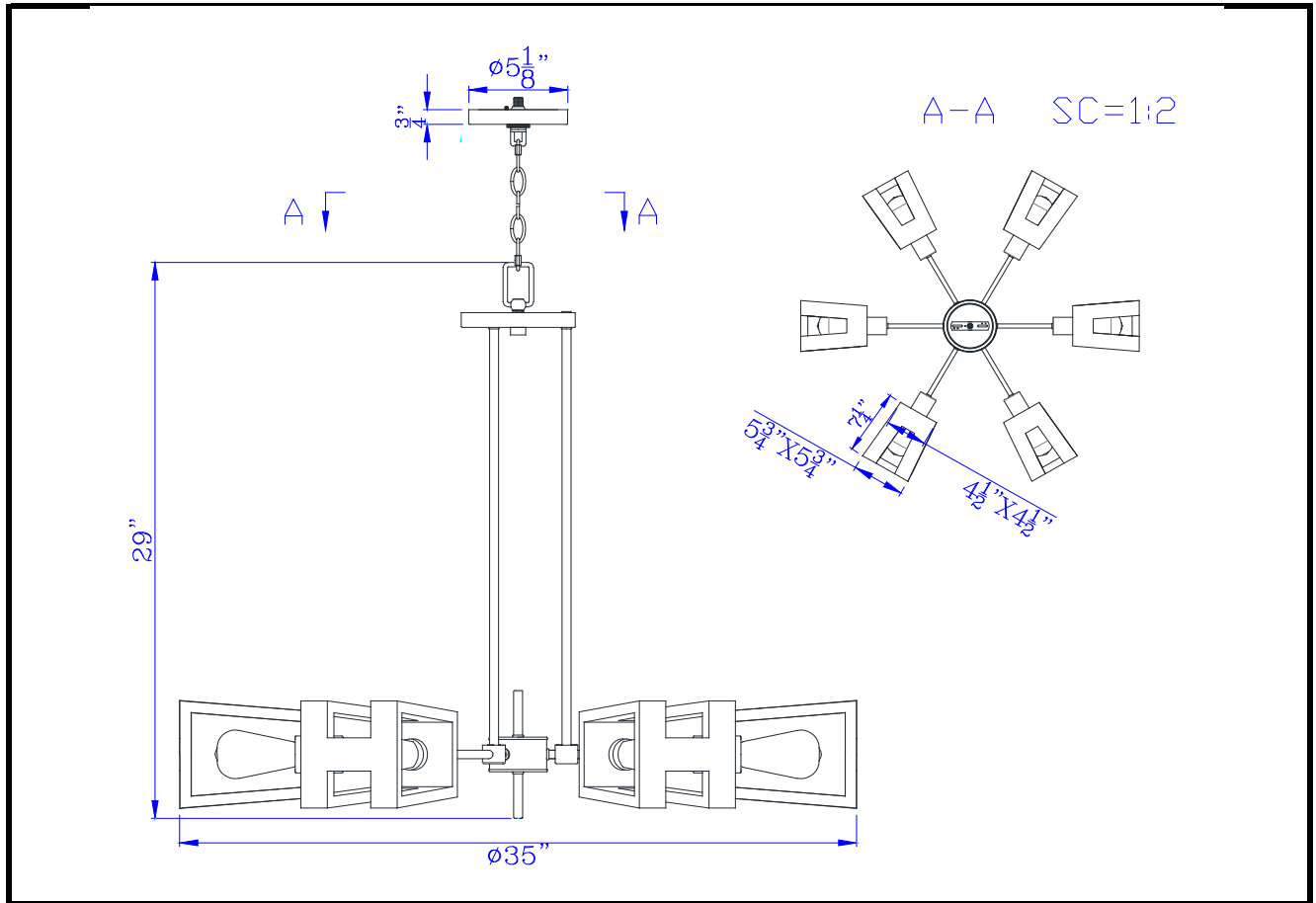
Type: _____

Project: _____

Catalog No.: **FX-3739-6**

Lamp/Wattage: _____

Drawing:



- Model No:** FX-3739-6
Description: 60W x6 Biel metal/wood chandelier (Edison bulbs NOT included)
Material: Metal+Wood
Finish : Wood/Iron
Height: 29"
Width: 35"
Reach: 35"
Wattage : 60Wx6
Socket : Medium Base (E26)
Bulb: Incandescent
Chain Length: 6'
Wire Length: 10'
Wire Color: Black
Shade No:
Material: Wood
Shade size: 4 1/2"x4 1/2"x5 3/4"x5 3/4"x7 1/4"

Certificate :

