

# FX-3727-6 INSTALLATION SHEET

## IMPORTANT SAFETY INSTRUCTIONS:

\* These instructions are provided for your safety. It is very important that they are read completely before beginning the installation of your fixture.

\* **DIRECT WIRE FIXTURES: WE STRONGLY RECOMMEND INSTALLATION BY A LICENSED ELECTRICIAN.**

Shut off the main electrical supply at fuse box/circuit breaker.

Remove all parts from carton and place them on a smooth surface.

1. Attach the decoration pole (1) to the mesh body (2) and tighten with screw (3) using screw driver attached in the parts package.

2. Screw the loop pole (4) to the mesh body (2)

3. Affix mounting strip (5) to junction box using mounting screw (6).

4. Put the wires through the canopy (8) and mounting strip (5) and make wire connection:

Connect the green ground wire "T" to the supply wire, Cathode wire "N" in white to the supply wire, Anode wire "L" in black to the supply wire in the junction box as illustrated with wire nuts (7).

5. Hang the chain and fixture on loop by chain link (10).

6. Install the recommended bulbs (11, not included).

Turn on power and enjoy!!!

**Use Max 60W X 6 T type or A type BULB (Bulb not included)**

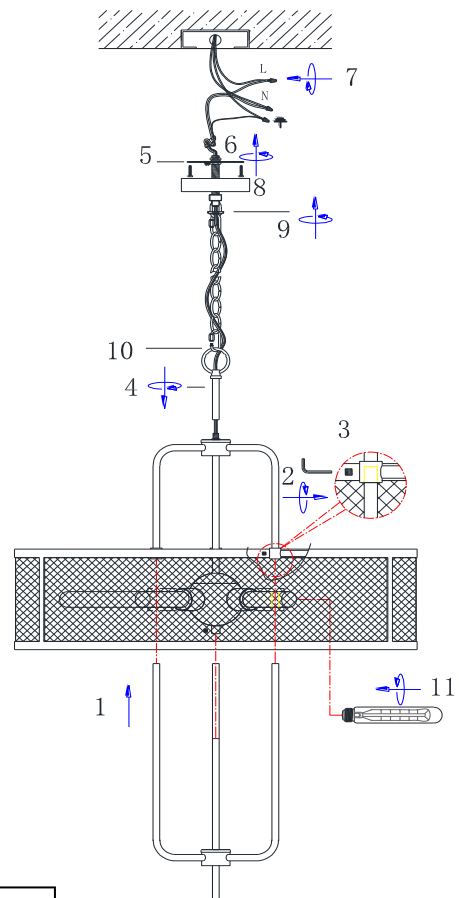
## WARNINGS:

Turn off power (unplug from the wall outlet) before replacing the bulb(s), making sure the bulb(s) have sufficient time to cool down.

Do not subject this fixture to any shock while lit as shattering of bulbs may result .

## CARE INSTRUCTIONS:

To clean, use a soft cloth only. DO NOT use any chemical or abrasive cleaners.



★★ Keep this instruction for future reference★★