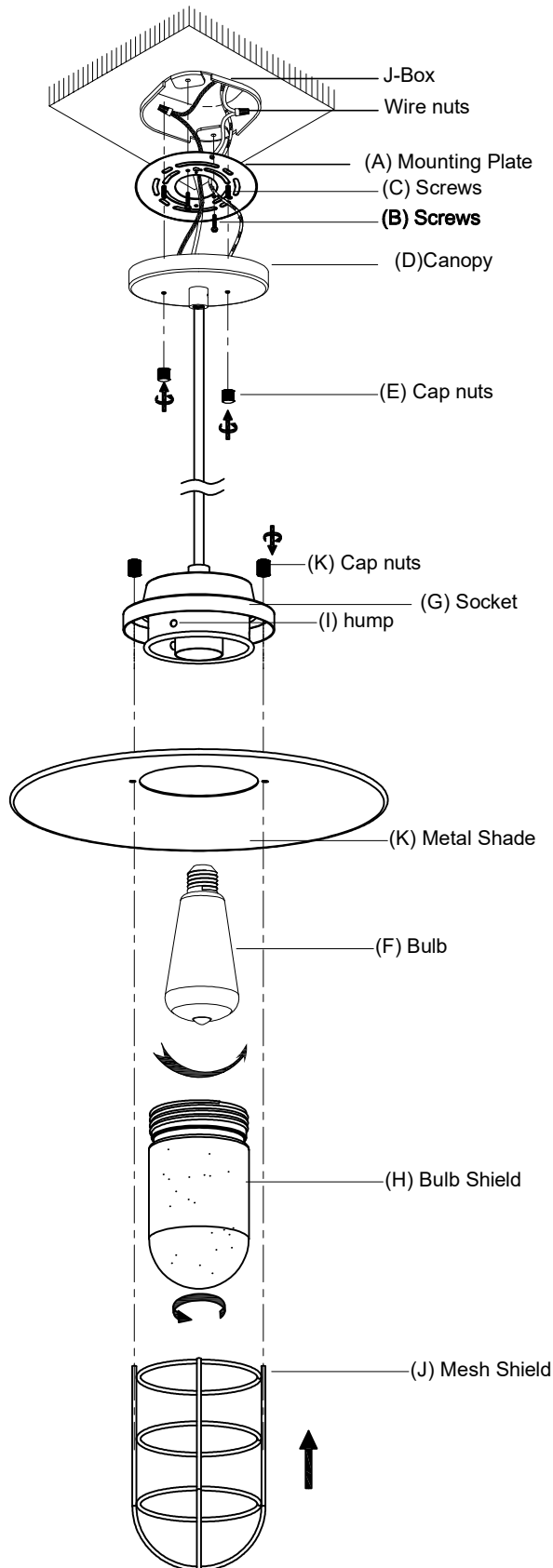


# Installation Instructions

ITEM NO. : FX-3724-1P.

**USE 60W MAX TYPE A  
(Not Included)**



\*\* To ensure the success of the installation, be sure to read these instructions and review the diagrams thoroughly before beginning.

\*\* Installation must be performed by a qualified electrician.

\*\* Turn off the main power at the circuit breaker before installation, replacing lamp or maintenance.

## INSTALLATION

1. Shut off main power at circuit breaker before attempting to install this luminaire.
2. Install mounting plate (A) to junction box in ceiling using mounting screws (B).
3. Secure the two screws (C) to the mounting plate. You should leave proper length of the screws beyond the surface of the mounting plate to ensure enough thread is available to properly mount the canopy with the cap nuts.
4. Pull the existing electrical wires out of the junction box and make proper connections using wire nuts.
5. Position canopy (D) over mounting plate and align holes to canopy with mounting screws (C). With thread protruding through canopy surface, thread and secure both cap nuts (E).
6. Install bulb (F) (not included in this package)
7. Screw the bulb shield (H) to the socket part (G) clockwise to tighten. Make sure the thread of the bulb shield is grasped tightly by the three humps (I) on the socket.
8. Align the mesh shield (J), metal shade (K) to the socket part (G), put the thread of the mesh shield (J) through the metal shade and the socket, tighten by cap nuts (K) on the top side of the socket.

Turn on the main power and enjoy!

To clean, wipe the fixture with a soft, dry cloth. Avoid the use of harsh or abrasive chemicals as they may damage the finish.

SAVE THESE INSTRUCTIONS FOR FUTURE REFERENCE.