



CAL LIGHTING

3625 E. Philadelphia St. Ontario CA. 91761 • Tel: 909.947.5200 • Fax:
909.947.5673 • www.calighting.com • service@calighting.com •
Specifications subject to change without notice

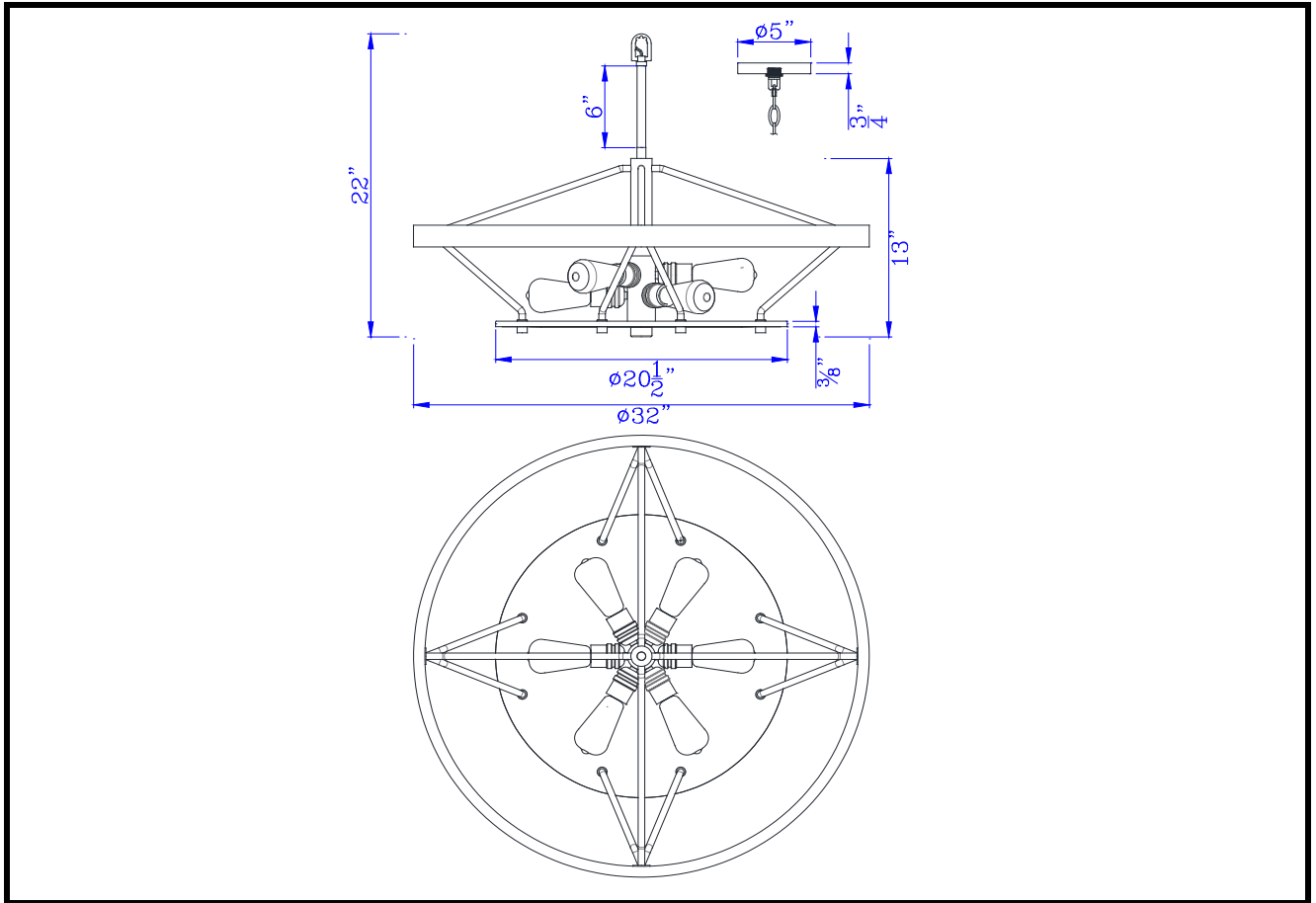
Type: _____

Project: _____

Catalog No.: _____

Lamp/Wattage: _____

Drawing:



- Model No:** FX-3721-6
Description: Sherrill metal/wood chandelier (Edison bulbs NOT included)
Material: Metal/Pine
Finish : Bronze/Wood
Height: 22"
Width: 32"
Reach: 32"
Wattage : 60Wx6
Socket : Medium Base (E26)
Bulb: Incandescent or CFL
Chain Length: 6'
Wire Length: 10'
Wire Color: Black
Shade No:
Material: Glass
Shade size: 20 1/2"x20 1/2"x 3/8"

Certificate :

