

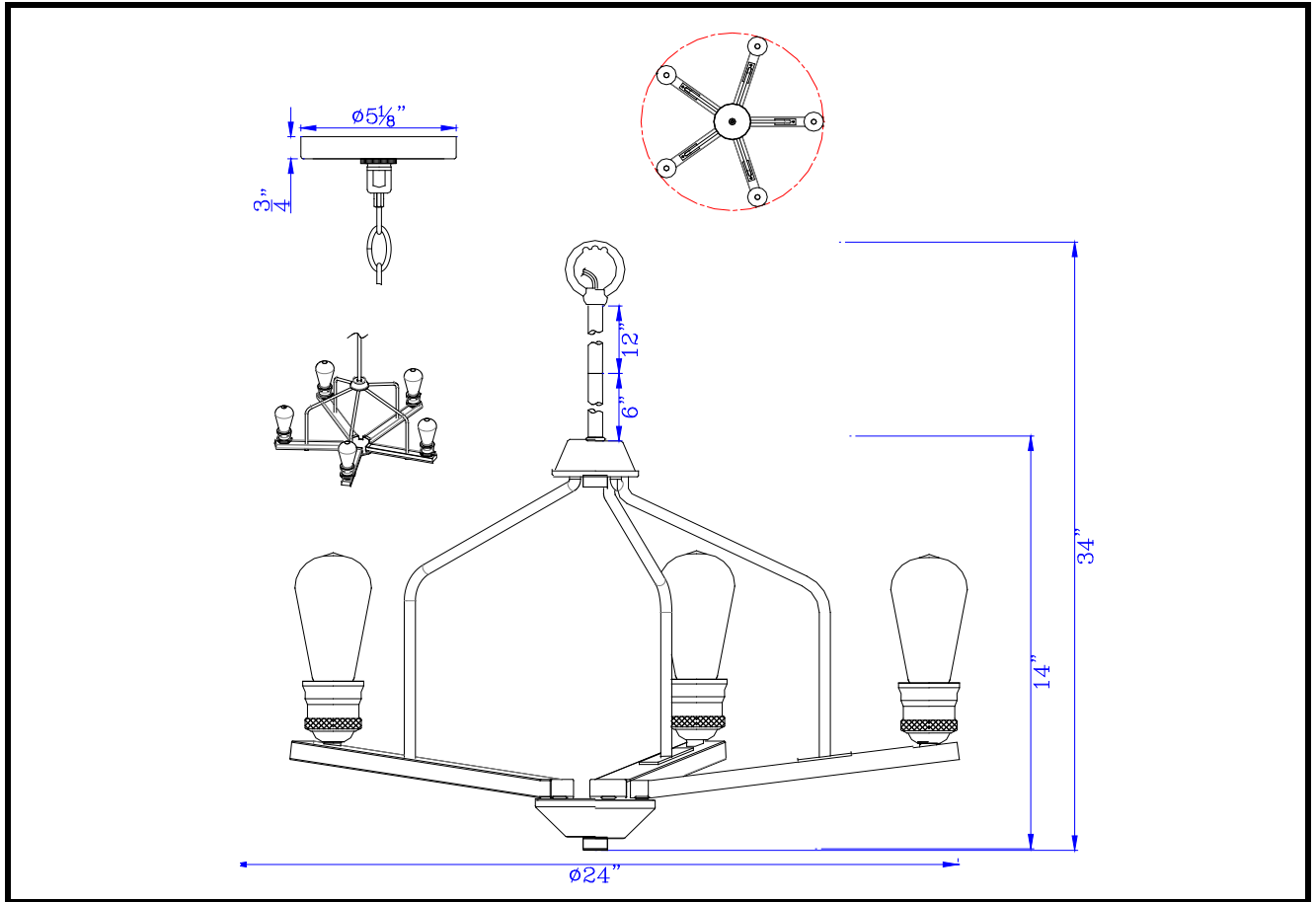


CAL LIGHTING

3625 E. Philadelphia St. Ontario CA. 91761 • Tel: 909.947.5200 • Fax:
909.947.5673 • www.calighting.com • service@calighting.com •
Specifications subject to change without notice

Type: _____
Project: _____
Catalog No.: _____
Lamp/Wattage: _____

Drawing:



Model No: FX-3716-5
Description: Corning metal chandelier (Edison bulbs NOT included)
Material: Metal/Painting Wood
Finish : Textured Bronze/drifted wood
Height: 34"
Width: 24"
Reach: 24"
Wattage : 60Wx5
Socket : Medium Base (E26)
Bulb: Incandescent or CFL
Chain Length: 6'
Wire Length: 10'
Wire Color: Brown
Shade No:
Material:
Shade size:
Certificate : 