



CAL LIGHTING

3625 E. Philadelphia St. Ontario CA. 91761 • Tel: 909.947.5200 • Fax:
909.947.5673 • www.calighting.com • service@calighting.com •
Specifications subject to change without notice

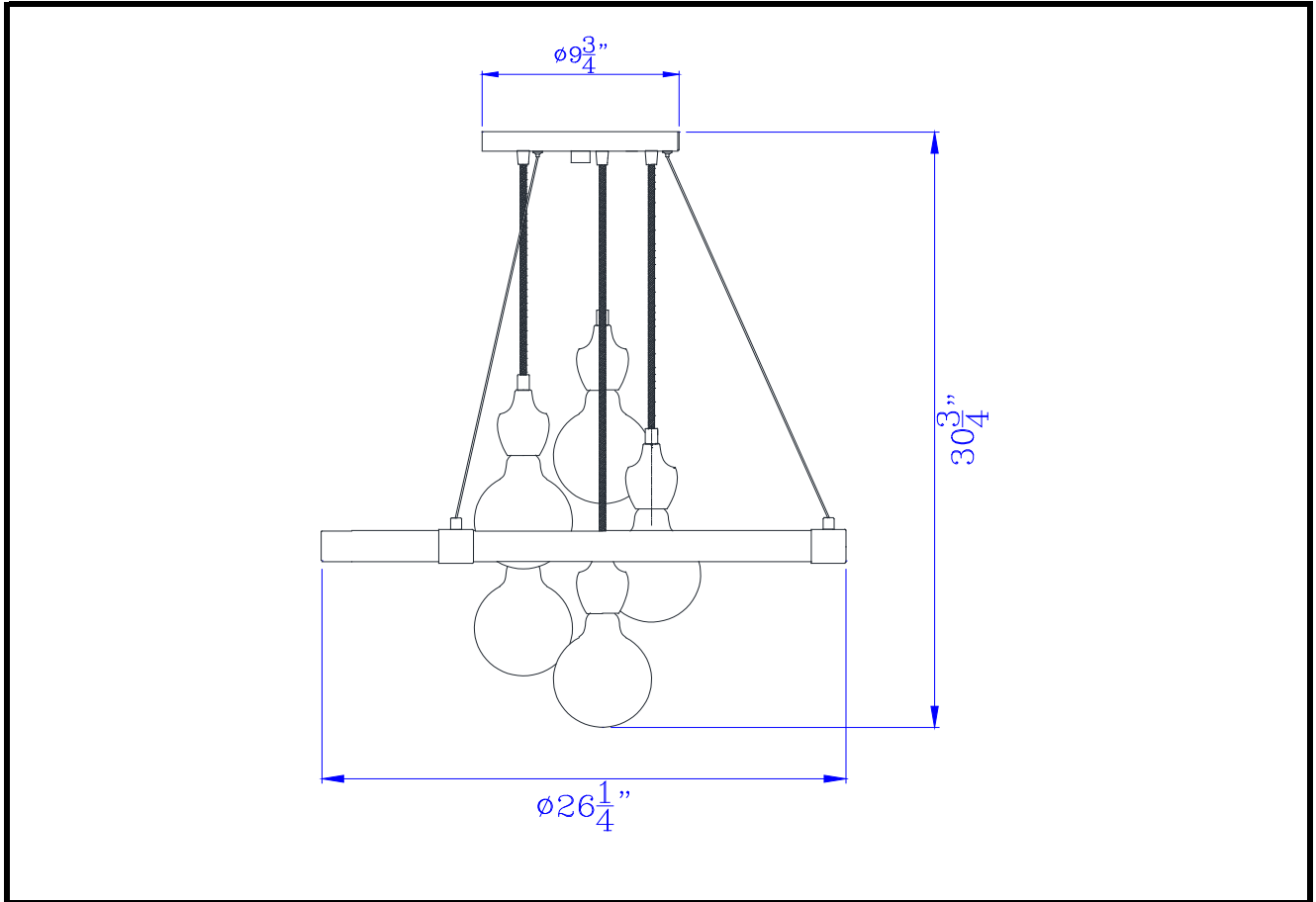
Type: _____

Project: _____

Catalog No.: _____

Lamp/Wattage: _____

Drawing:



- Model No:** FX-3687-5
- Description:** 60W x 5 Martos metal/wood chandelier. (Edison bulbs included)
- Material:** METAL/WOOD
- Finish :** Wood
- Height:** 30 3/4"
- Width:** 26 1/4"
- Reach:** 26 1/4"
- Wattage :** 60Wx5
- Socket :** Medium Base (E26)
- Bulb:** Incandescent or CFL
- Chain Length:**
- Wire Length:**
- Wire Color:** Black
- Shade No:** None
- Material:** None
- Shade size:** None
- Certificate :** 