



CAL LIGHTING

3625 E. Philadelphia St. Ontario CA. 91761 • Tel: 909.947.5200 • Fax:
909.947.5673 • www.calighting.com • service@calighting.com •
Specifications subject to change without notice

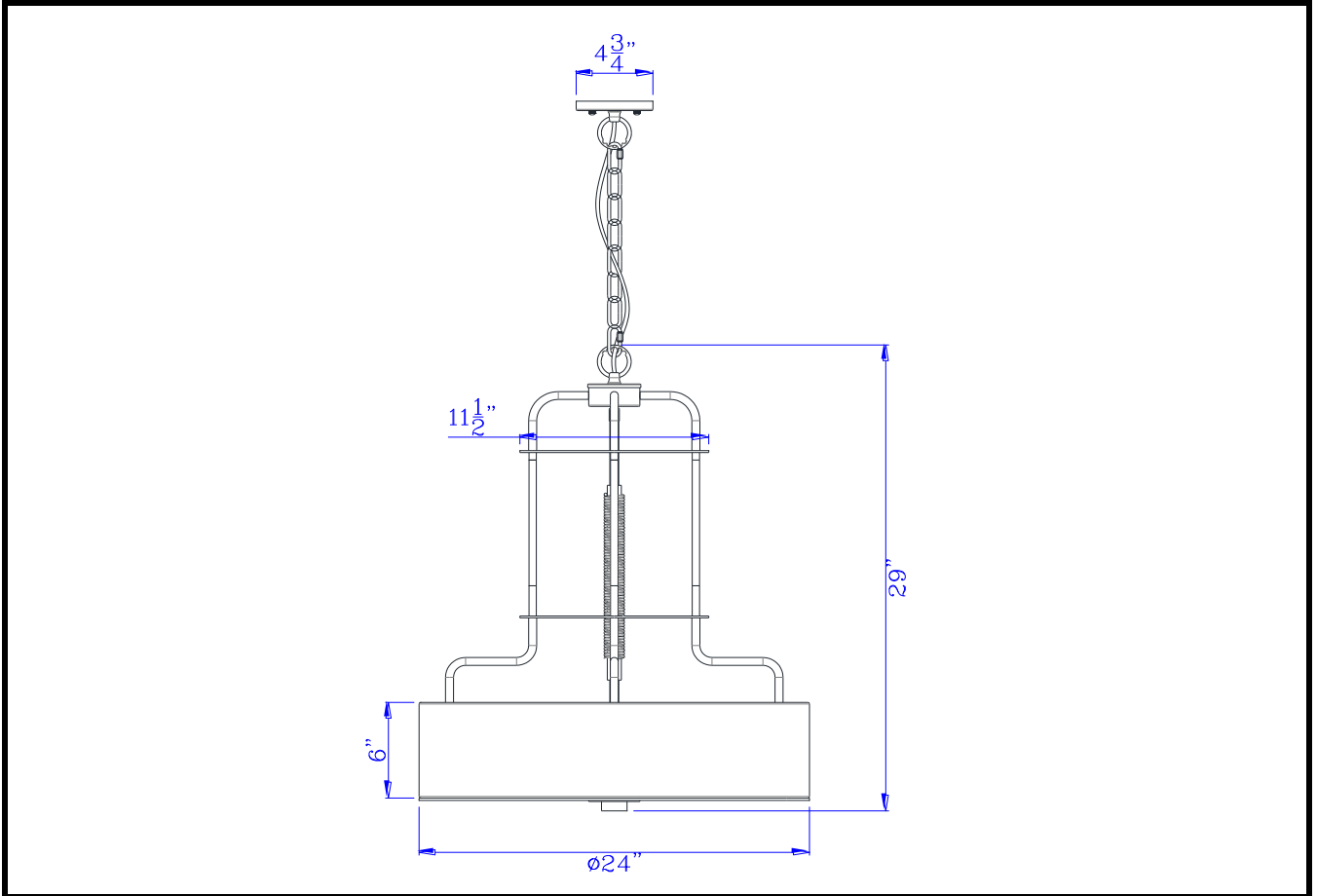
Type: _____

Project: _____

Catalog No.: _____

Lamp/Wattage: _____

Drawing:



- Model No:** FX-3652-4
- Description:** 60W x 4 Transformer metal chandelier
- Material:** Metal
- Finish :** Brushed Steel
- Height:** 29"
- Width:** 24"
- Reach:** 24"
- Wattage :** 60Wx4
- Socket :** Medium Base (E26)
- Bulb:** Incandescent
- Chain Length:** 6"
- Wire Length:** 10"
- Wire Color:** Silver
- Shade No:**
- Material:**
- Shade size:** Dia.24" H6"
- Certificate :**

