



CAL LIGHTING

3625 E. Philadelphia St. Ontario CA. 91761. Tel: 909.947.5200. Fax:
909.947.5673. www.calighting.com. service@calighting.com.
Specifications subject to change without notice

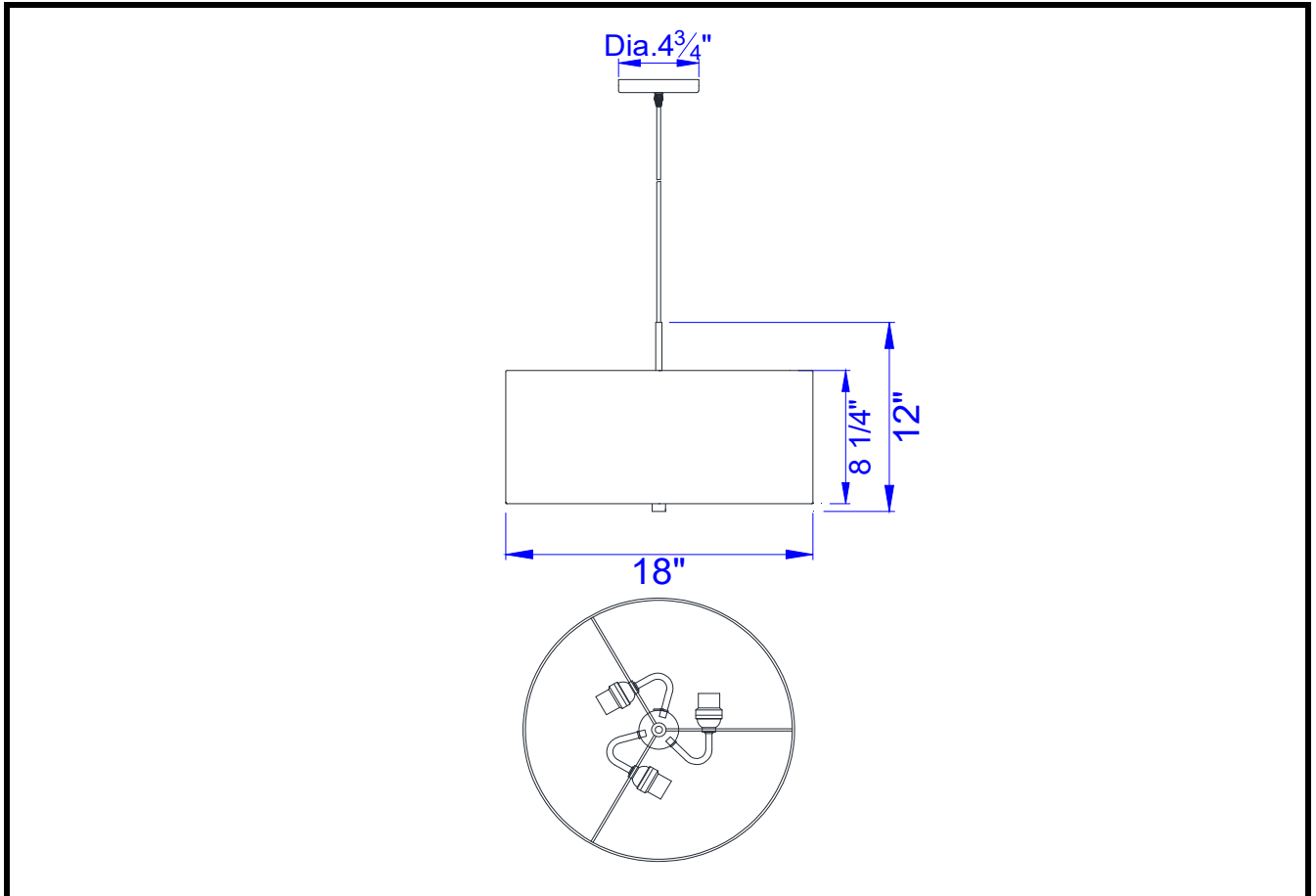
Type: _____

Project: _____

Catalog No.: _____

Lamp/Wattage: _____

Drawing:



Model No: FX-3627-1P
Description: 60W x 3 Addison burlap drum pendant
Material: Metal
Finish : Burlap
Height: 12"
Width: Dia.18"
Wattage : 60WX3
Socket : Medium Base (E26)
Bulb: Incandescent,CFL
Chain Length:
Wire Length: 6'
Wire Color: Silver
Shade No:
Material: Burlap
Shade size: 18"X18"X8 1/4"
Certificate :

