



# CAL LIGHTING

3625 E. Philadelphia St. Ontario CA. 91761 • Tel: 909.947.5200 • Fax:  
909.947.5673 • www.calighting.com • service@calighting.com •  
Specifications subject to change without notice

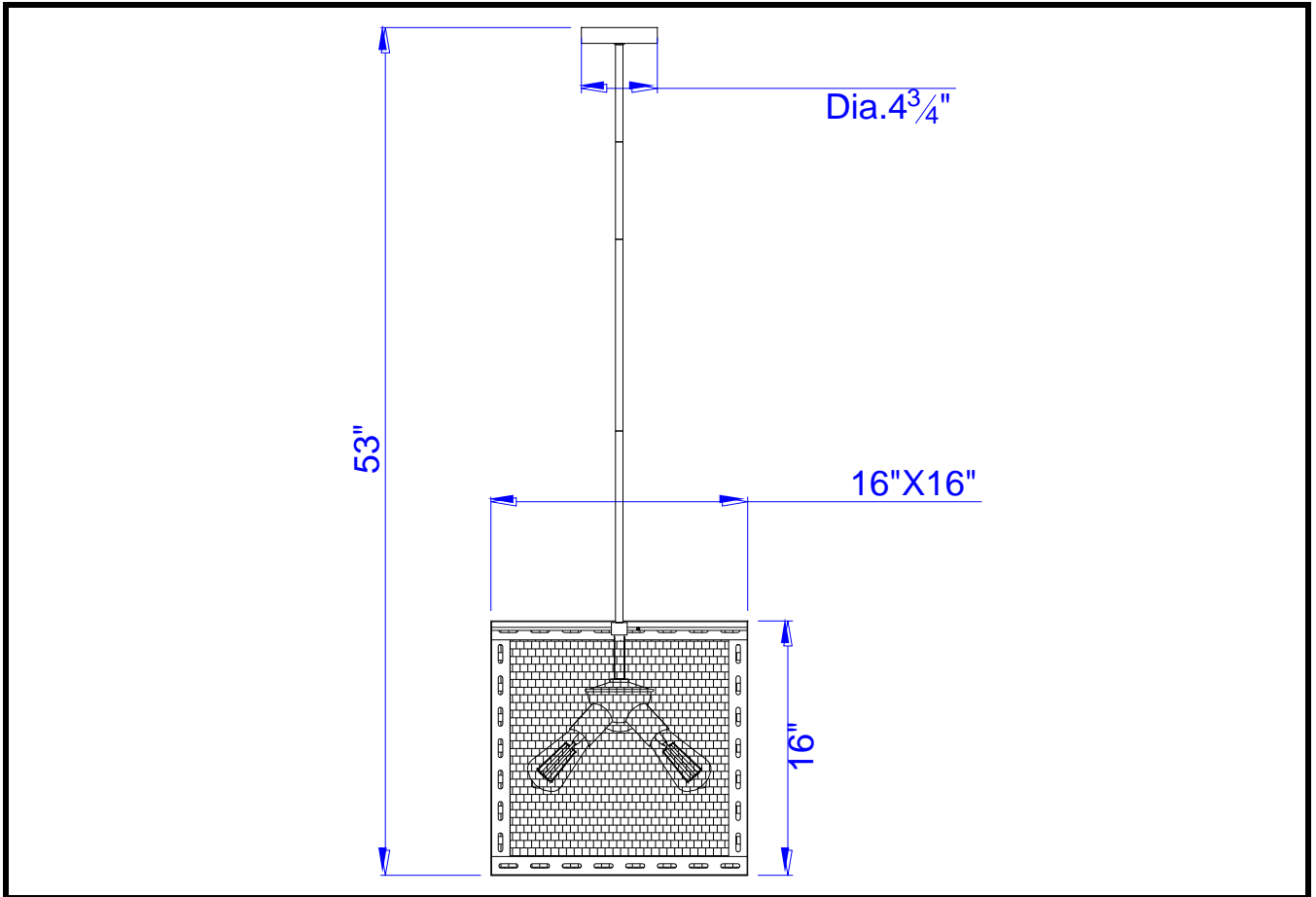
Type: \_\_\_\_\_

Project: \_\_\_\_\_

Catalog No.: \_\_\_\_\_

Lamp/Wattage: \_\_\_\_\_

## Drawing:



- Model No:** FX-3625-4
- Description:** 60W x 4 Evanston metal mesh chandelier
- Material:** Metal
- Finish :** Iron
- Height:** 53"
- Width:** 16"
- Wattage :** 60WX4
- Socket :** Medium Base (E26)
- Bulb:** Incandescent,CFL
- Chain Length:**
- Wire Length:**
- Wire Color:**
- Shade No:**
- Material:** Metal
- Shade size:** W16"XL16"XH16"
- Certificate :**

