



CAL LIGHTING

3625 E. Philadelphia St. Ontario CA. 91761 • Tel: 909.947.5200 • Fax:
909.947.5673 • www.calighting.com • service@calighting.com •
Specifications subject to change without notice

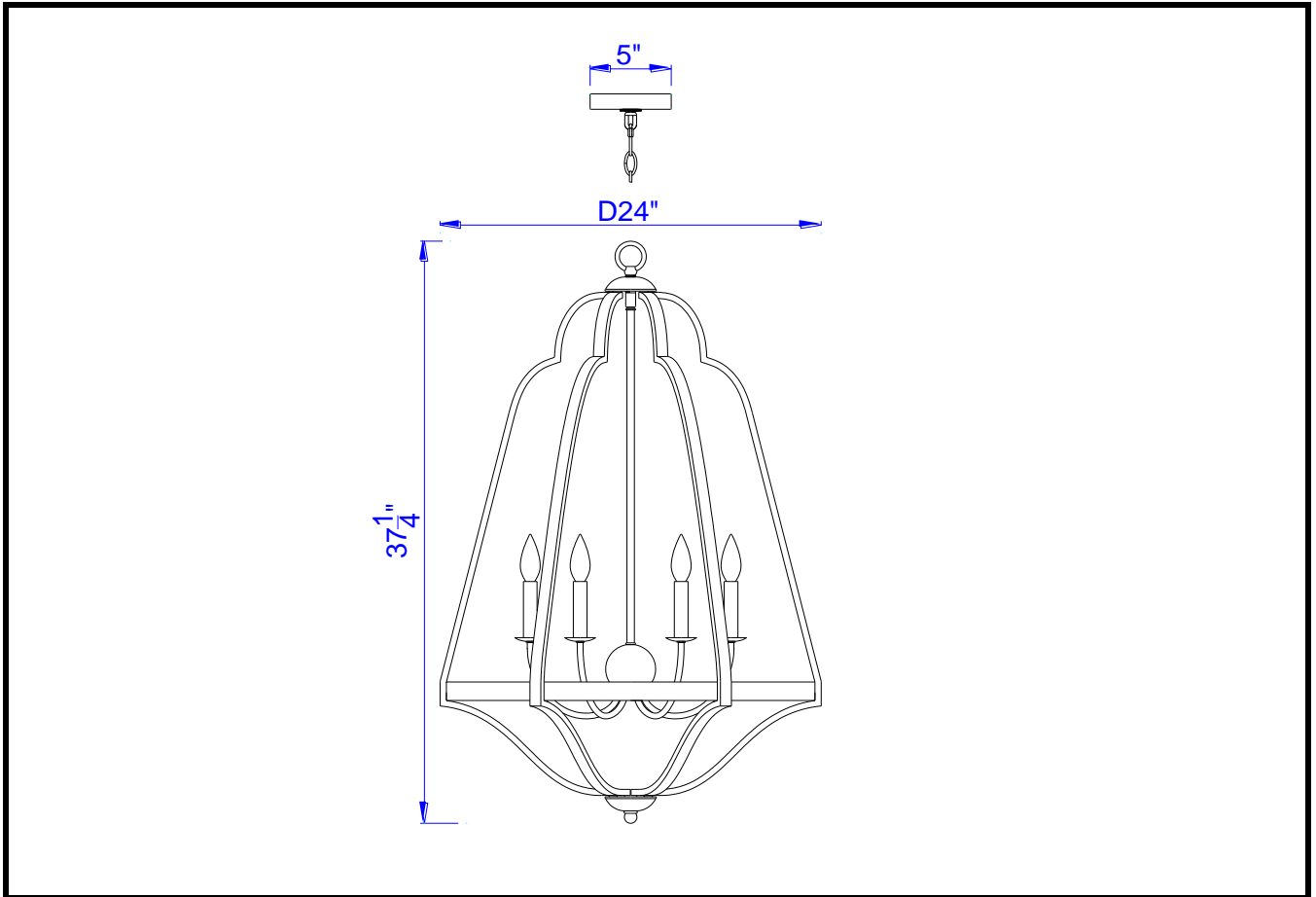
Type: _____

Project: _____

Catalog No.: _____

Lamp/Wattage: _____

Drawing:



- Model No:** FX-3606-6
- Description:** 60WX6 Melrose Metal Chandelier
- Material:** Steel
- Finish :** Chrome
- Height:** 37 1/4"
- Width:** Dia.24"
- Wattage :** 60WX6
- Socket :** Candelabra Base (E12)
- Bulb:** Incandescent,CFL
- Chain Length:** 6'
- Wire Length:** 10'
- Wire Color:** Silver
- Shade No:**
- Material:**
- Shade size:**
- Certificate :**

