

719509-1 INSTRUCTION SHEET

PARTS ENCLOSED:

- (A) WIRE NUT (2X)
- (B) MOUNTING PLATE
- (C) MOUNTING SCREW (X2)
- (D) CANOPY
- (E) LOOP
- (F) QUICK LINK
- (G) CHAIN
- (H) LIGHTING FIXTURE

IMPORTANT SAFETY INSTRUCTIONS:

* These instructions are provided for your safety. It is very important that they are read completely before beginning the installation of your fixture.

* **DIRECT WIRE FIXTURES: WE STRONGLY RECOMMEND INSTALLATION BY A LICENSED ELECTRICIAN.**

This fixture has been rated for up to a 40W MAX. Type B bulbs. To avoid risk of fire, do not exceed the recommended wattage.

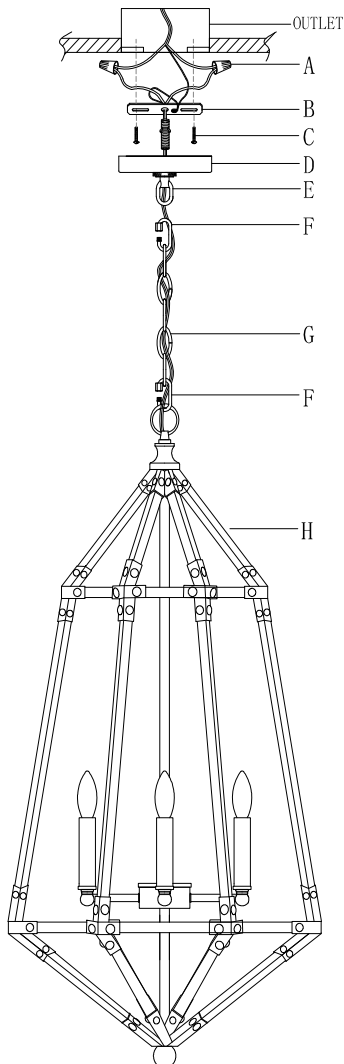
WARNINGS:

Turn off power (unplug from the wall outlet) before replacing the bulb(s), making sure the bulb(s) have sufficient time to cool down.

Do not subject the lighting fixture to any shock while lit as shattering of bulbs may result.

TO ASSEMBLE:

1. Shut off the main electrical supply at fuse box/circuit breaker.
2. Remove all parts from carton. Do not throw away any parts as shown on right.
3. Affix mounting plate (B) to junction box using mounting screws (C).
4. Wire the lighting fixture.
5. Install the canopy (D) and tighten it by Loop (E).
6. Hang the chain (G) on Loop (E) by Chain Link (F)
7. Hang the Lighting Fixture (H) on Chain (G) by Quick Link (F).



CARE INSTRUCTIONS:

To clean, use a soft cloth only. DO NOT use any chemical or abrasive cleaners.