



CAL LIGHTING

3625 E. Philadelphia St. Ontario CA. 91761 • Tel: 909.947.5200 • Fax:
909.947.5673 • www.calighting.com • service@calighting.com •
Specifications subject to change without notice

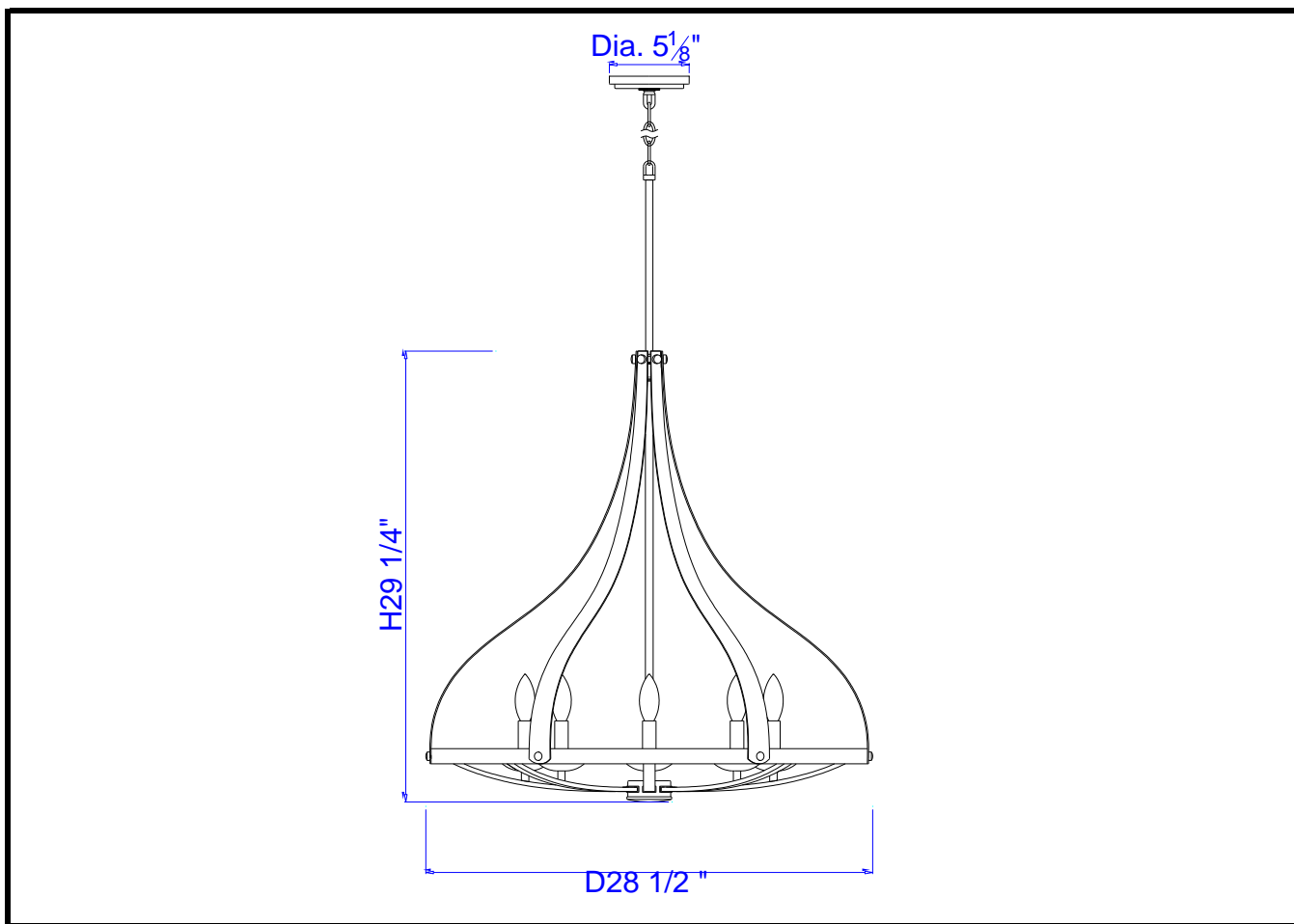
Type: _____

Project: _____

Catalog No.: _____

Lamp/Wattage: _____

Drawing:



Model No: FX-3589-8
Description: 60W x 8 Meridian metal chandelier
Material: Metal
Finish : Brushed Steel
Height: 29 1/4"
Width: 28 1/2"
Wattage : 60Wx8
Socket : Candelabra Base (E12)
Bulb: Incandescent
Chain Length: 6'
Wire Length: 10'
Wire Color: Silver
Shade No:
Material:
Shade size:
Certificate : 