



CAL LIGHTING

3625 E. Philadelphia St. Ontario CA. 91761 • Tel: 909.947.5200 • Fax:
909.947.5673 • www.calighting.com • service@calighting.com •
Specifications subject to change without notice

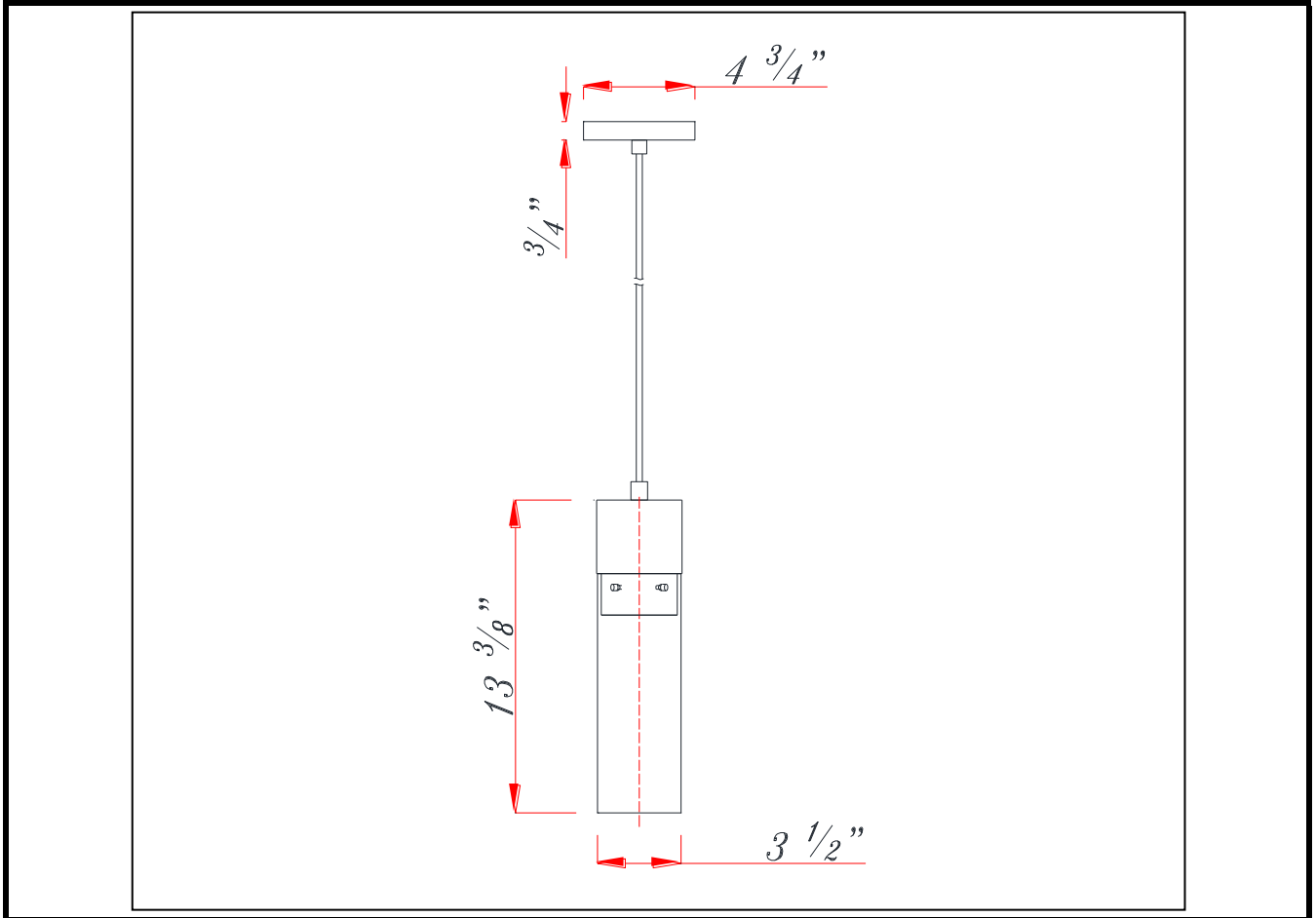
Type: _____

Project: _____

Catalog No.: _____

Lamp/Wattage: _____

Drawing:



- Model No:** FX-3583-1P
- Description:** 60W Spheroid glass/wood pendant
- Material:** WOOD+Glass
- Finish :** Wood/Dark Bronze
- Height:** 13 3/8"
- Width:** 3 1/2"
- Wattage :** 60W
- Socket :** Small Base (E12)
- Bulb:** Incandescent
- Chain Length:**
- Wire Length:** 6'
- Wire Color:** Black
- Shade No:**
- Material:**
- Shade size:**
- Certificate :**

