



CAL LIGHTING

3625 E. Philadelphia St. Ontario CA. 91761 • Tel: 909.947.5200 • Fax:
909.947.5673 • www.calighting.com • service@calighting.com •
Specifications subject to change without notice

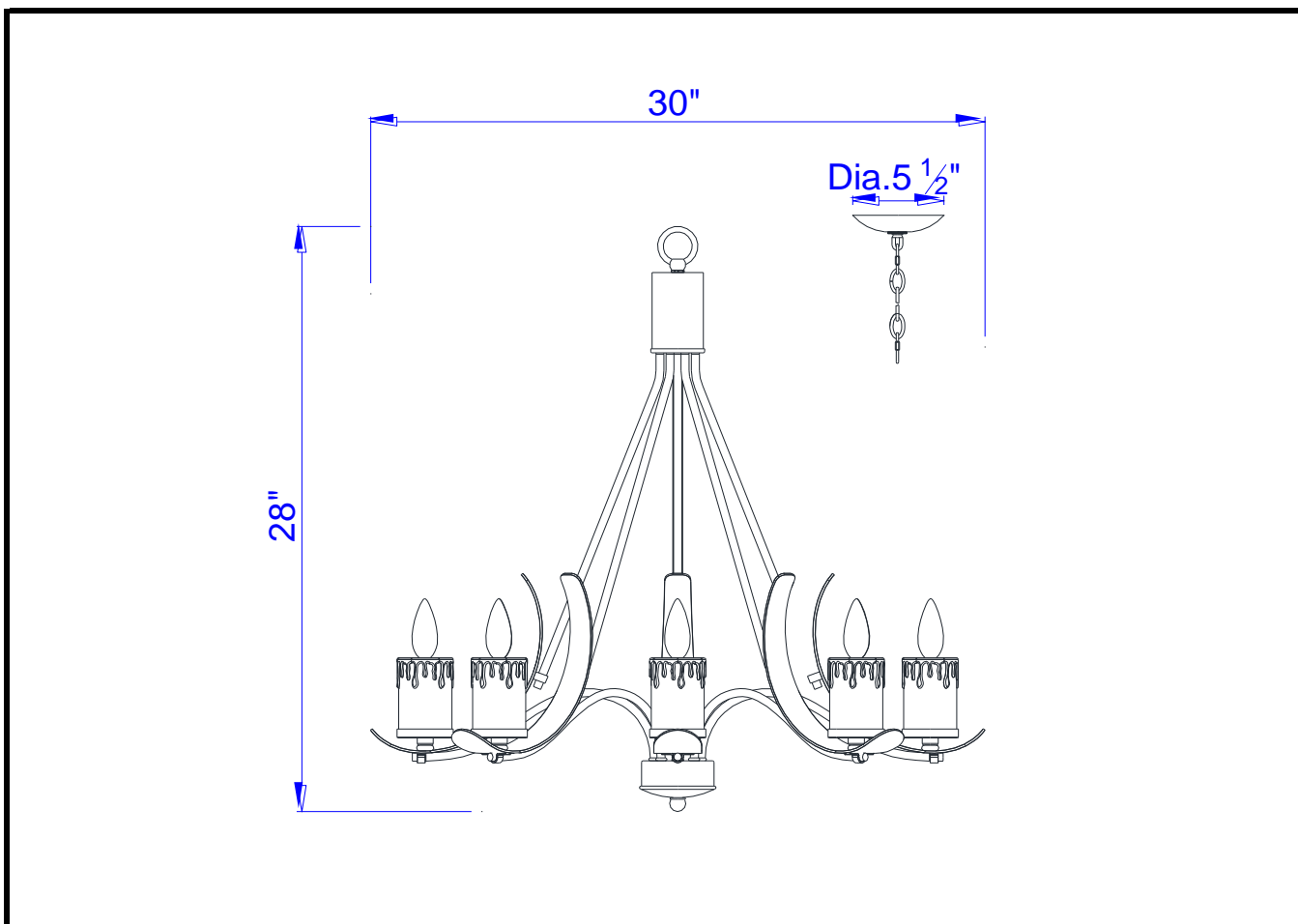
Type: _____

Project: _____

Catalog No.: _____

Lamp/Wattage: _____

Drawing:



Model No: FX-3561/8
Description: Morelia Hand Forged Iron Chandelier with Frosted Glass Shade
Material: Metal
Finish : Black Smith
Height: 29"
Width: 30"
Wattage : 60W x 8
Socket : Candelabra Base (E12)
Bulb: Incandescent
Chain Length: 6'
Wire Length: 10'
Wire Color: Brown
Shade No: None
Material: None
Shade size: None
Certificate : 