



# CAL LIGHTING

3625 E. Philadelphia St. Ontario CA. 91761 • Tel: 909.947.5200 • Fax:  
909.947.5673 • www.calighting.com • service@calighting.com • Specifications  
subject to change without notice

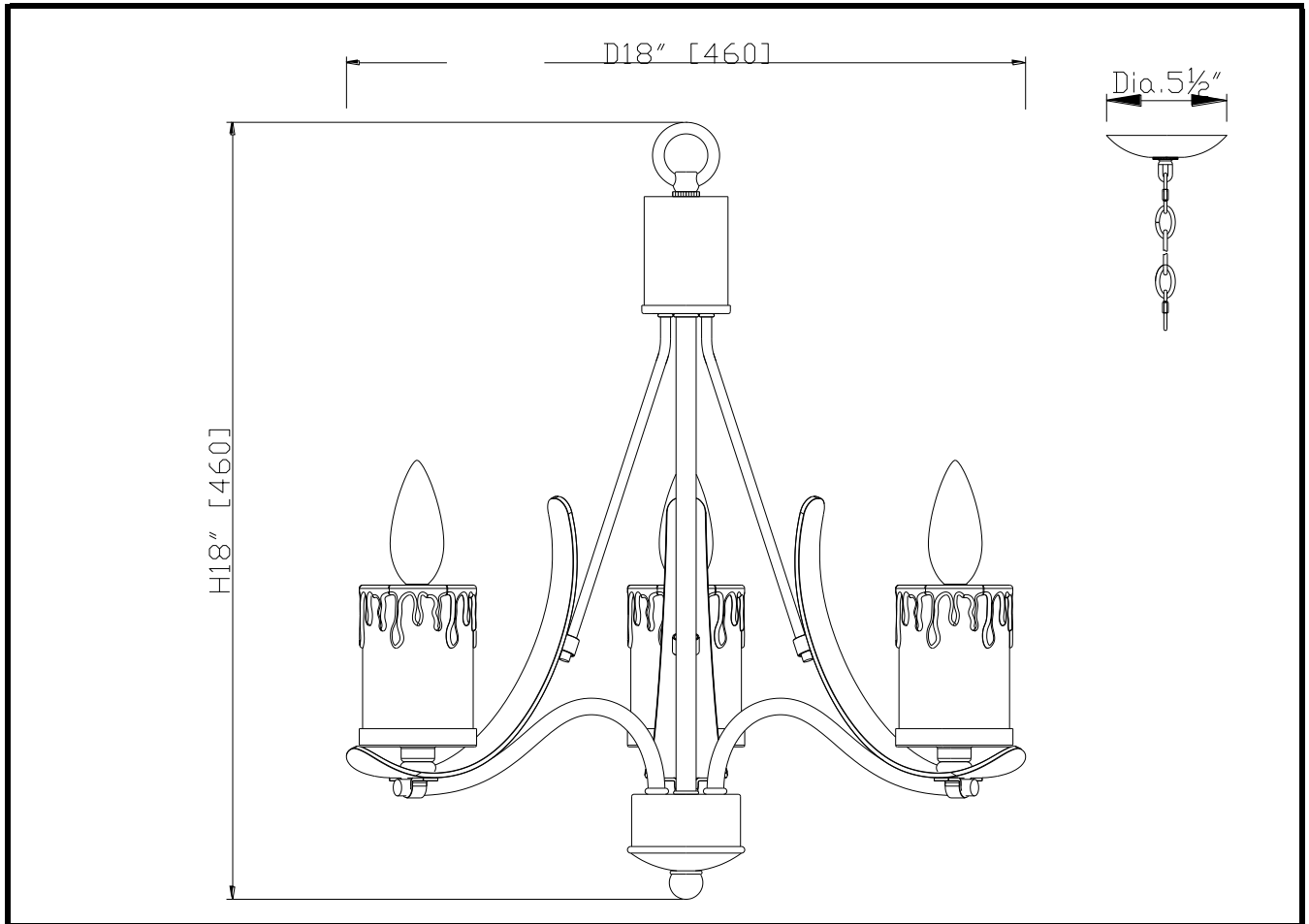
Type: \_\_\_\_\_

Project: \_\_\_\_\_

Catalog No.: \_\_\_\_\_

Lamp/Wattage: \_\_\_\_\_

## Drawing:



- Model No:** FX-3561/3
- Description:** Morelia Hand Forged Iron Chandelier with Frosted Glass Shade
- Material:** Metal
- Finish :** Black Smith
- Height:** 18"
- Width:** 18"
- Wattage :** 60W x 3
- Socket :** Candelabra Base ( E12 )
- Bulb:** Incandescent
- Chain Length:** 6'
- Wire Length:** 10'
- Wire Color:** Brown
- Shade No:** None
- Material:** None
- Shade size:** None
- Certificate :**