



# CAL LIGHTING

3625 E. Philadelphia St. Ontario CA. 91761 • Tel: 909.947.5200 • Fax:  
909.947.5673 • www.calighting.com • service@calighting.com • Specifications  
subject to change without notice

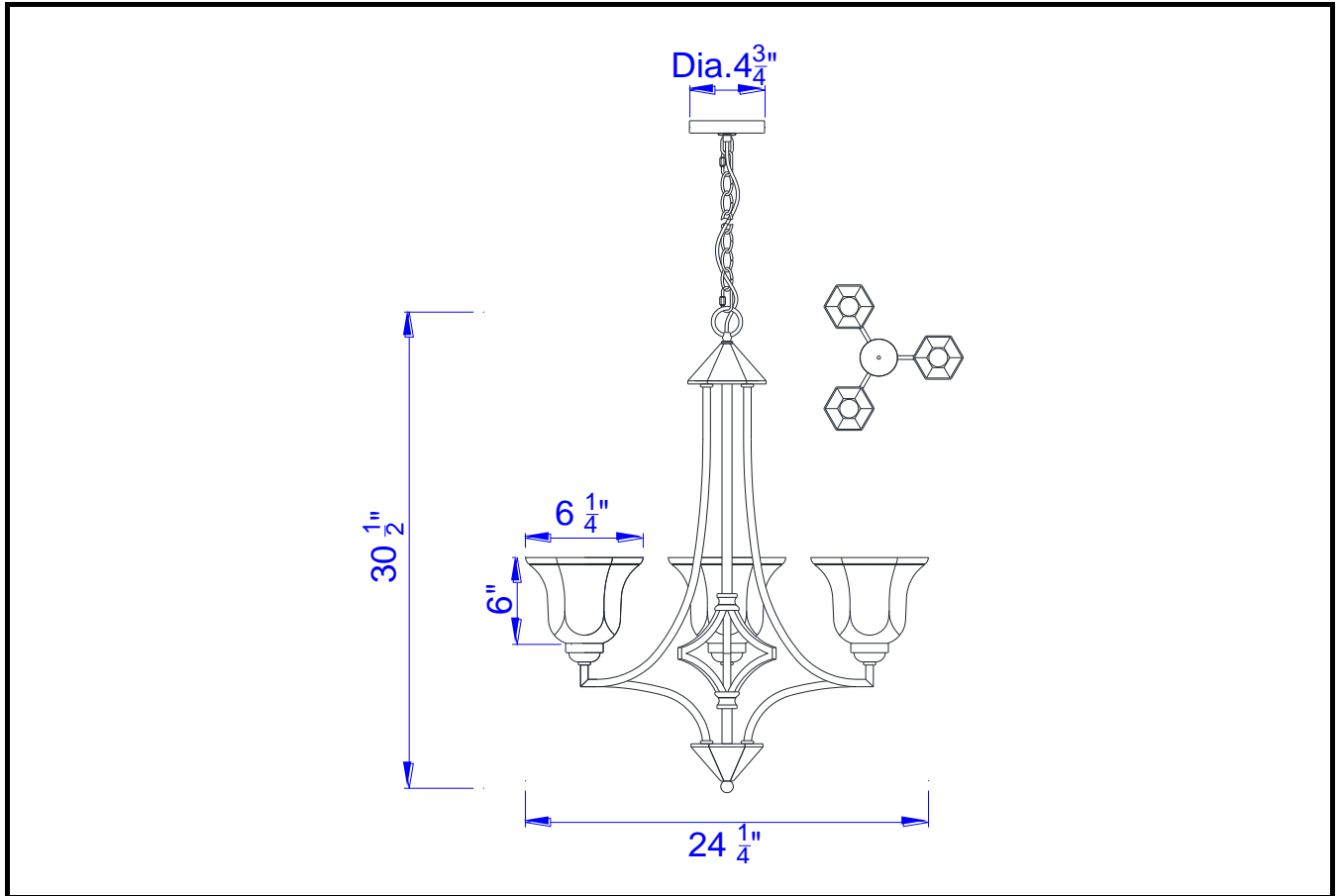
Type: \_\_\_\_\_

Project: \_\_\_\_\_

Catalog No.: \_\_\_\_\_

Lamp/Wattage: \_\_\_\_\_

## Drawing:



**Model No:** FX-3551/3  
**Description:** Westbrook Hand-Forged Iron 3-light Chandelier with Glass Shades  
**Material:** Metal/Glass  
**Finish :** Dark Bronze  
**Height:** 30 1/2"  
**Width:** 24 1/4"  
**Wattage :** 60W x 3  
**Socket :** Medium Base ( E26 ) X 6  
**Bulb:** Incandescent  
**Chain Length:** 6'  
**Wire Length:** 10'  
**Wire Color:** Black  
**Shade No:**  
**Material:** Glass  
**Shade size:** Dia 6 1/4"x H6"

**Certificate :**

