



# CAL LIGHTING

3625 E. Philadelphia St. Ontario CA. 91761 • Tel: 909.947.5200 • Fax:  
909.947.5673 • www.calighting.com • service@calighting.com • Specifications  
subject to change without notice

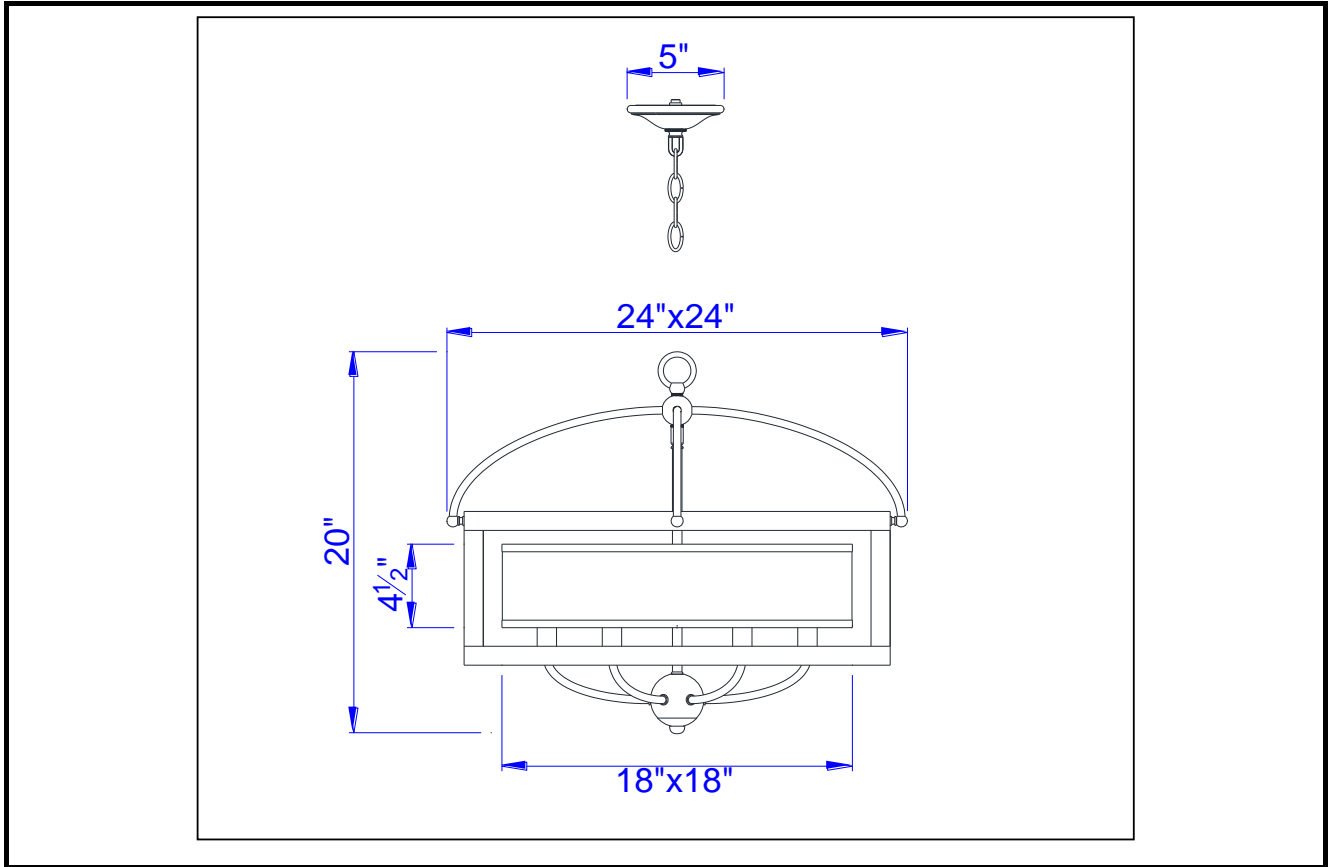
Type: \_\_\_\_\_

Project: \_\_\_\_\_

Catalog No.: \_\_\_\_\_

Lamp/Wattage: \_\_\_\_\_

Drawing:



**Model No:** FX-3536/6  
**Description:** Mission Square Wood/Metal Pendant Chandelier  
**Material:** Metal+Wood  
**Finish :** Wood  
**Height:** 20"  
**Width:** 24"x24"  
**Wattage :** 60W x 6  
**Socket :** Candelabra Base ( E12 )  
**Bulb:** Incandescent  
**Chain Length:** 6'  
**Wire Length:** 10'  
**Wire Color:** Brown  
**Shade No:**  
**Material:** Organza  
**Shade size:** 18"x18"x4 1/2"  
**Certificate :** 