



CAL LIGHTING

3625 E. Philadelphia St. Ontario CA. 91761 • Tel: 909.947.5200 • Fax:
909.947.5673 • www.calighting.com • service@calighting.com • Specifications
subject to change without notice

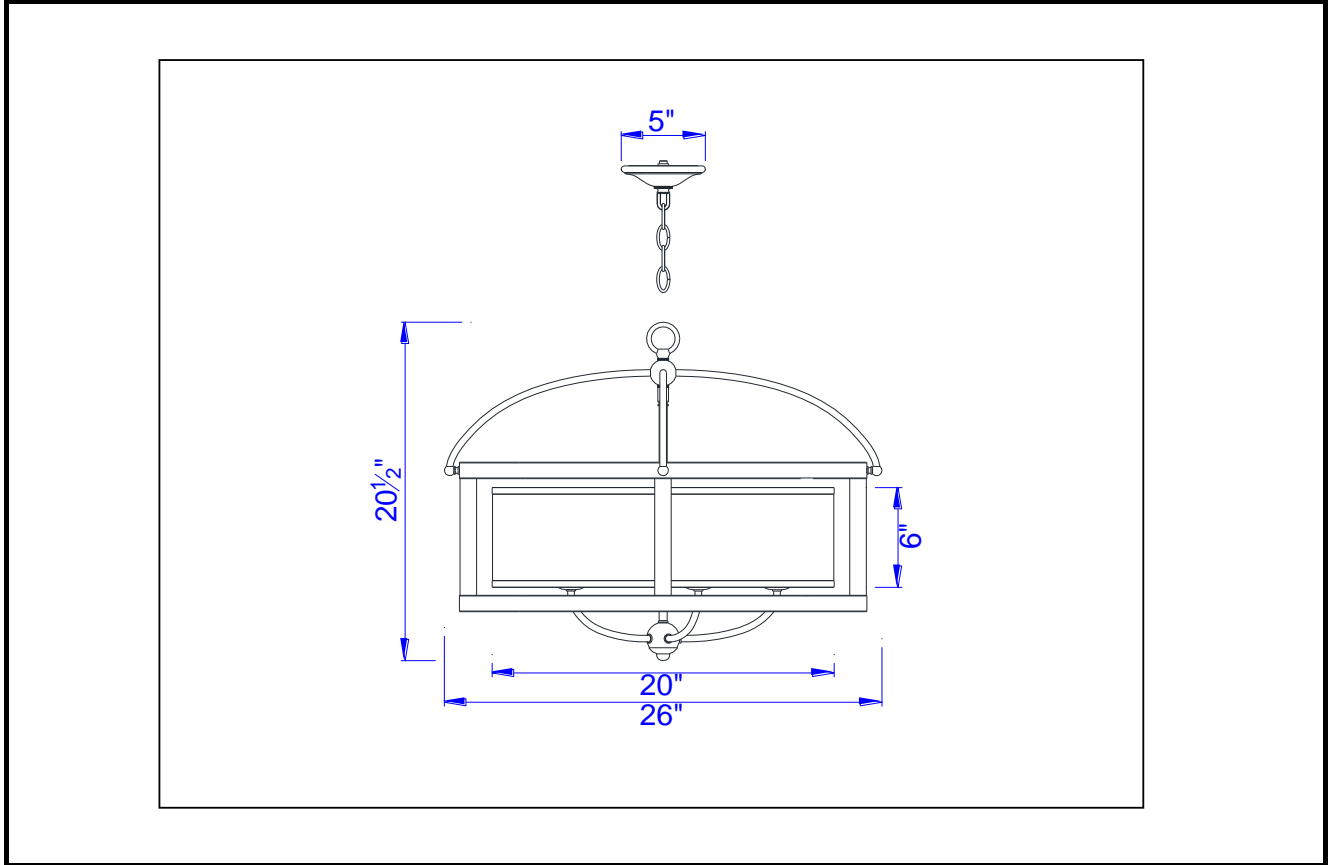
Type: _____

Project: _____

Catalog No.: _____

Lamp/Wattage: _____

Drawing:



Model No: FX-3536-5
Description: Mission Round Wood/Metal Pendant Chandelier
Material: Metal+Wood
Finish : Wood
Height: 20 1/2"
Width: Dia.26"
Wattage : 60W x 5
Socket : Candelabra Base (E12)
Bulb: Incandescent
Chain Length: 6'
Wire Length: 10'
Wire Color: Brown
Shade No:
Material: Organza
Shade size: Dia.20"x6"
Certificate : 