



CAL LIGHTING

3625 E. Philadelphia St. Ontario CA. 91761 • Tel: 909.947.5200 • Fax:
909.947.5673 • www.calighting.com • service@calighting.com • Specifications
subject to change without notice

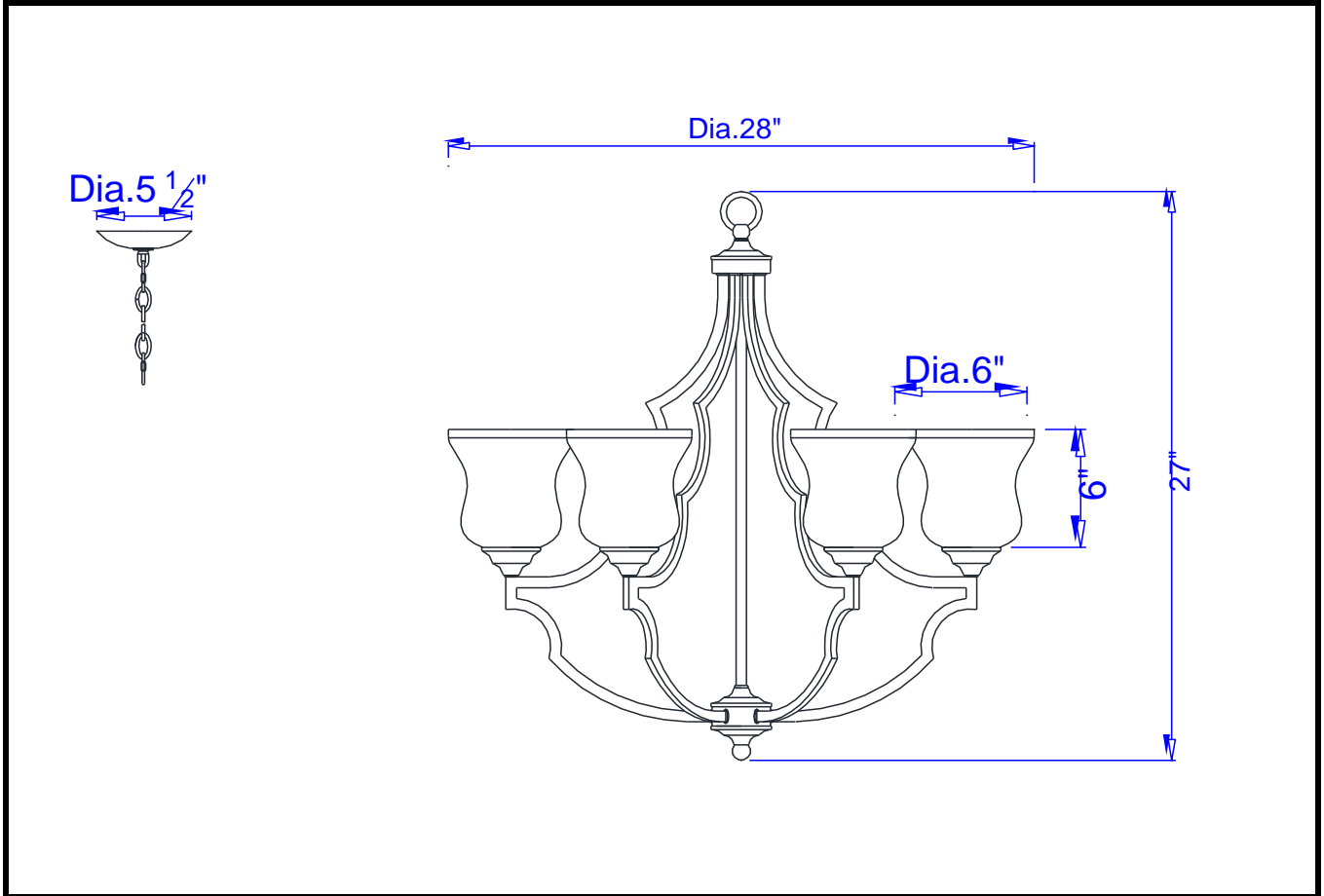
Type: _____

Project: _____

Catalog No.: _____

Lamp/Wattage: 6/60W

Drawing:



- Model No:** FX-3531/6
- Description:** Barrie Metal 6 Light Chandelier Fixture
- Material:** Metal
- Finish :** Brushed Steel
- Height:** 27"
- Width:** 28"
- Wattage :** 60W x 6
- Socket :** Medium Base (E26) X 6
- Bulb:** Incandescent
- Chain Length:** 6'
- Wire Length:** 10'
- Wire Color:** Silver
- Shade No:**
- Material:** Glass
- Shade size:** Dia.6"x6"
- Certificate :** 