



# CAL LIGHTING

3625 E. Philadelphia St. Ontario CA. 91761 • Tel: 909.947.5200 • Fax:  
909.947.5673 • www.calighting.com • service@calighting.com •  
Specifications subject to change without notice

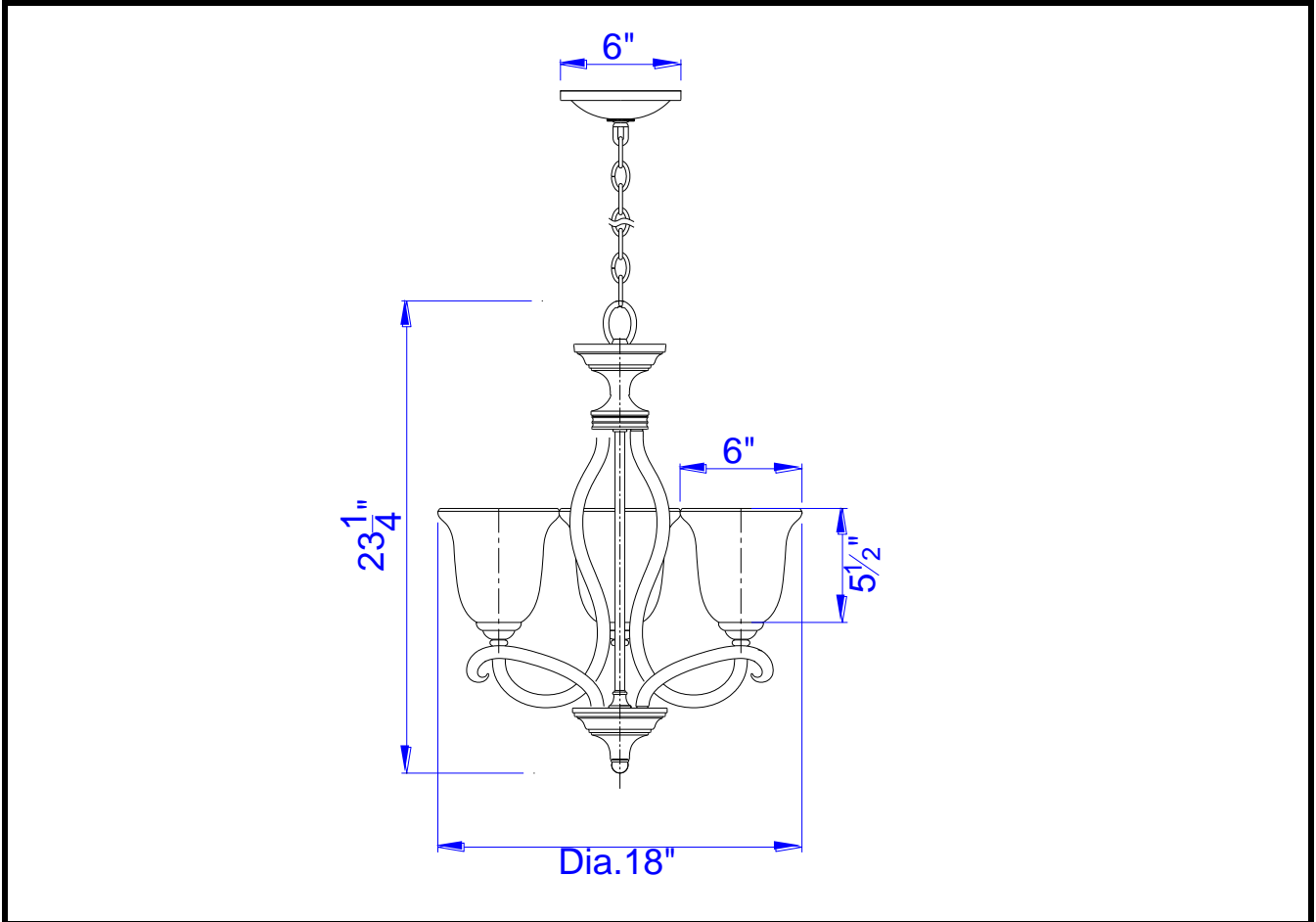
Type: \_\_\_\_\_


Project: \_\_\_\_\_

Catalog No.: \_\_\_\_\_

Lamp/Wattage: \_\_\_\_\_

Drawing:



- Model No:** FX-3512/3
- Description:** Emmett Hand Forged Iron 3 Light Chandelier With Glass Shades
- Material:** Metal
- Finish :** Vintage Gold
- Height:** 23-1/2"
- Width:** 18"
- Wattage :** 60W x 3
- Socket :** Medium Base ( E26 )
- Bulb:** Incandescent
- Chain Length:** 6'
- Wire Length:** 10'
- Wire Color:** Gold
- Shade No:**
- Material:** Glass
- Shade size:** Dia.6"x5 1/2"
- Certificate :**  us