

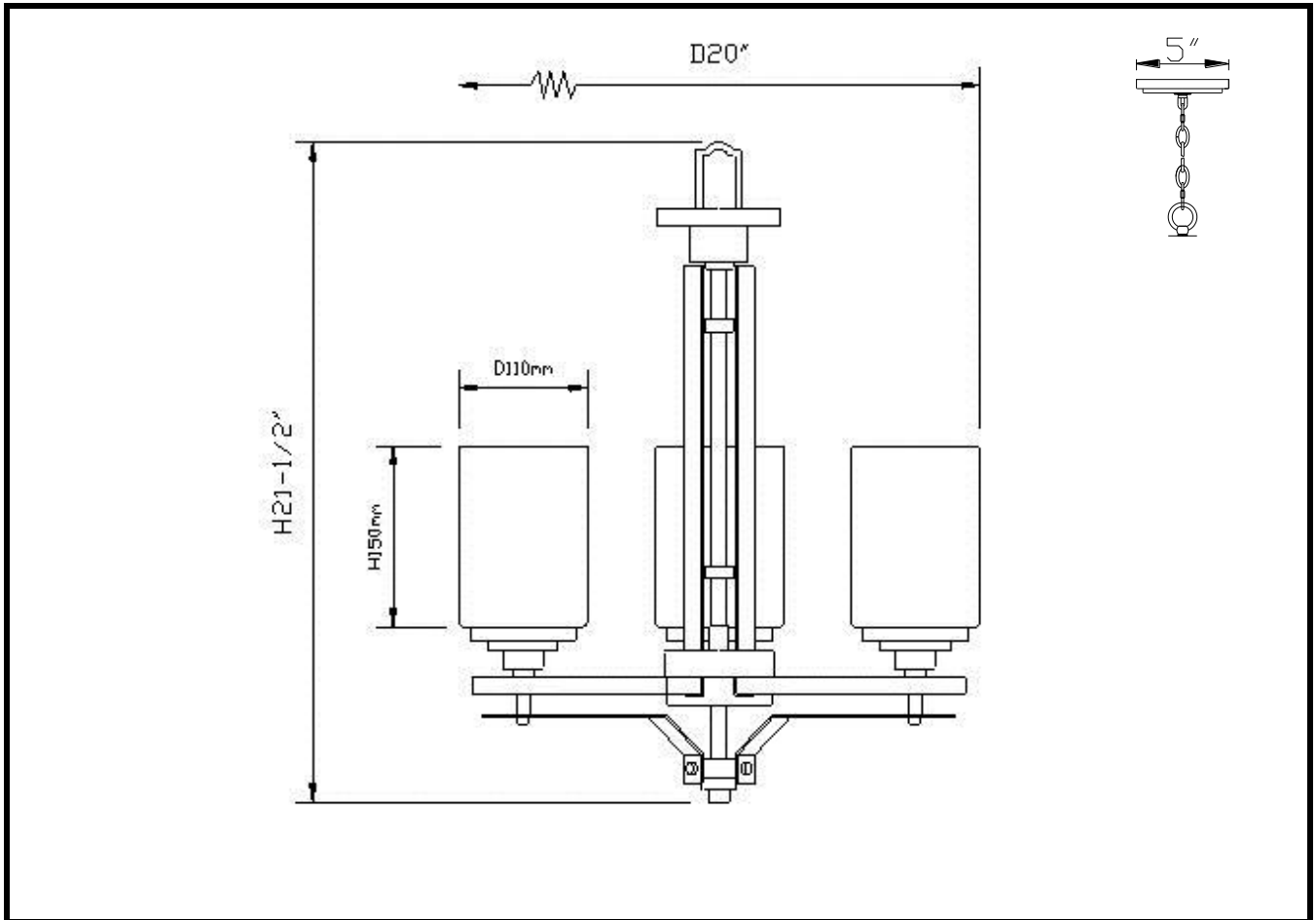


# CAL LIGHTING

3625 E. Philadelphia St. Ontario CA. 91761 • Tel: 909.947.5200 • Fax:  
909.947.5673 • www.calighting.com • service@calighting.com • Specifications  
subject to change without notice

Type: \_\_\_\_\_  
Project: \_\_\_\_\_  
Catalog No.: \_\_\_\_\_  
Lamp/Wattage: \_\_\_\_\_

## Drawing:



**Model No:** FX-3505/3  
**Description:** 60W x 3 Judson Hand Forged Iron 3 Light Chandelier With Glass Shades  
**Material:** Metal  
**Finish :** Texture Black  
**Height:** 21-1/2"  
**Width:** 20"  
**Wattage :** 60W x 3  
**Socket :** Medium Base ( E26 )  
**Bulb:** Incandescent  
**Chain Length:** 6'  
**Wire Length:** 10'  
**Wire Color:** Black  
**Shade No:**  
**Material:** Glass  
**Shade size:** Dia 4 1/4" x H 6"  
**Certificate :** 