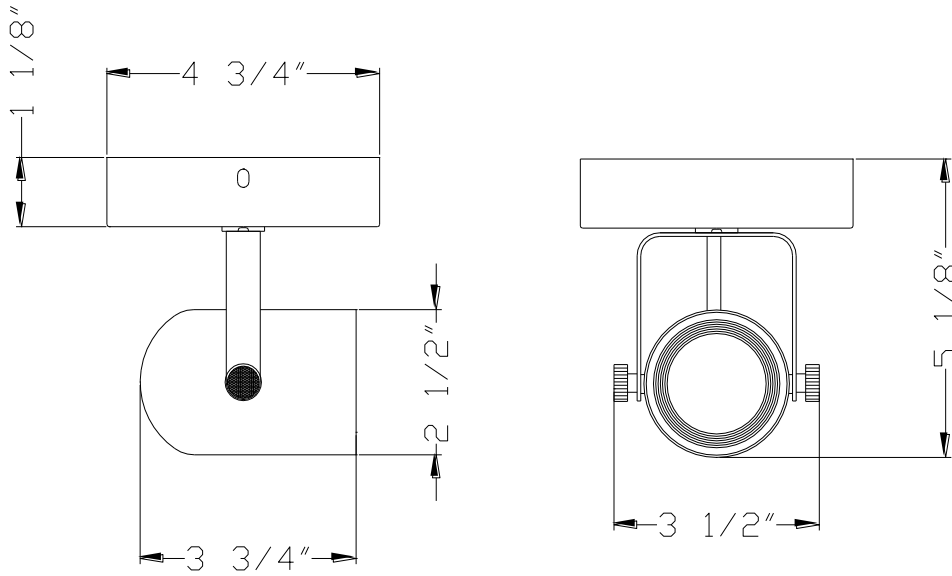




CAL LIGHTING

3625 E. Philadelphia St. Ontario CA. 91761 • Tel: 909.947.5200 • Fax:
909.947.5673 • www.calighting.com • service@calighting.com •
Specifications subject to change without notice

Type: _____
Project: _____
Catalog No.: _____
Lamp/Wattage: _____



Model No. : BO-998

Cord : 5.5' Cord

Switch : Inline Switch

Bulb : GU10 (halogen)

Socket : GU10

Voltage : 120V

Wattage : 50W Max.

Finish : DB (dark bronze)

Mounting : Wall/Ceiling mount

Certificate : 