



# CAL LIGHTING

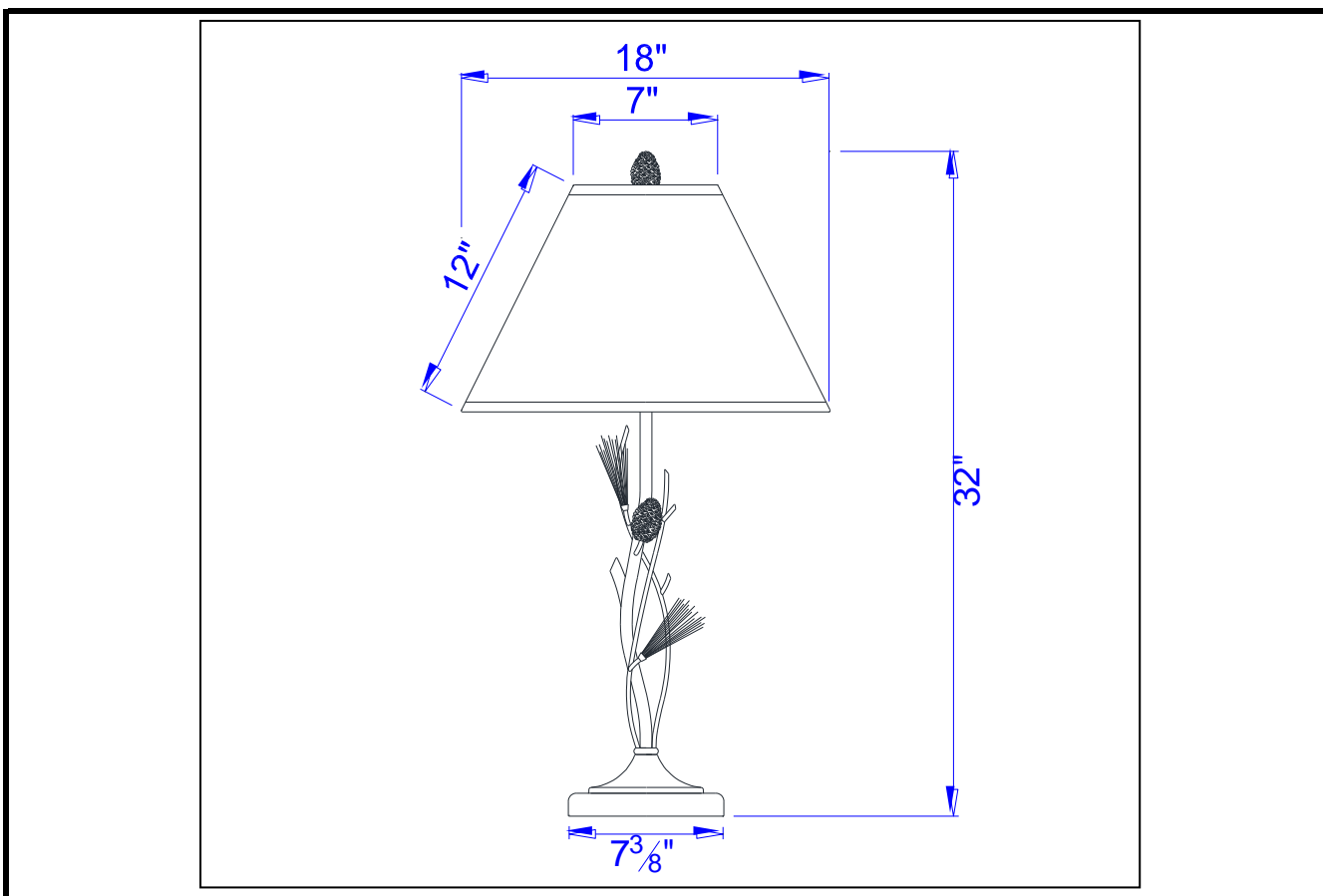
3625 E. Philadelphia St. Ontario CA. 91761 • Tel: 909.947.5200 • Fax:  
909.947.5673 • www.calighting.com • service@calighting.com •  
Specifications subject to change without notice

Type: \_\_\_\_\_

Project: \_\_\_\_\_

Catalog No.: \_\_\_\_\_

Lamp/Wattage: \_\_\_\_\_



**Model No:** BO-961TB  
**Description:** Pinecone Table Lamp  
**Material:** Metal  
**Finish :** Willow  
**Height:** 32"  
**Base Width:** Dia.7 3/8"  
**Wattage :** 150W  
**Socket :** Medium Base (E27)  
**Switch:** 3-way  
**Bulb:** Incandescent, CFL  
**Wire Length:** 6'  
**Wire Color:** Brown  
**Shade No:** SH-1036  
**Material:** Linen  
**Shade size:** 7"x18"x12"

**Certificate :** 