



CAL LIGHTING

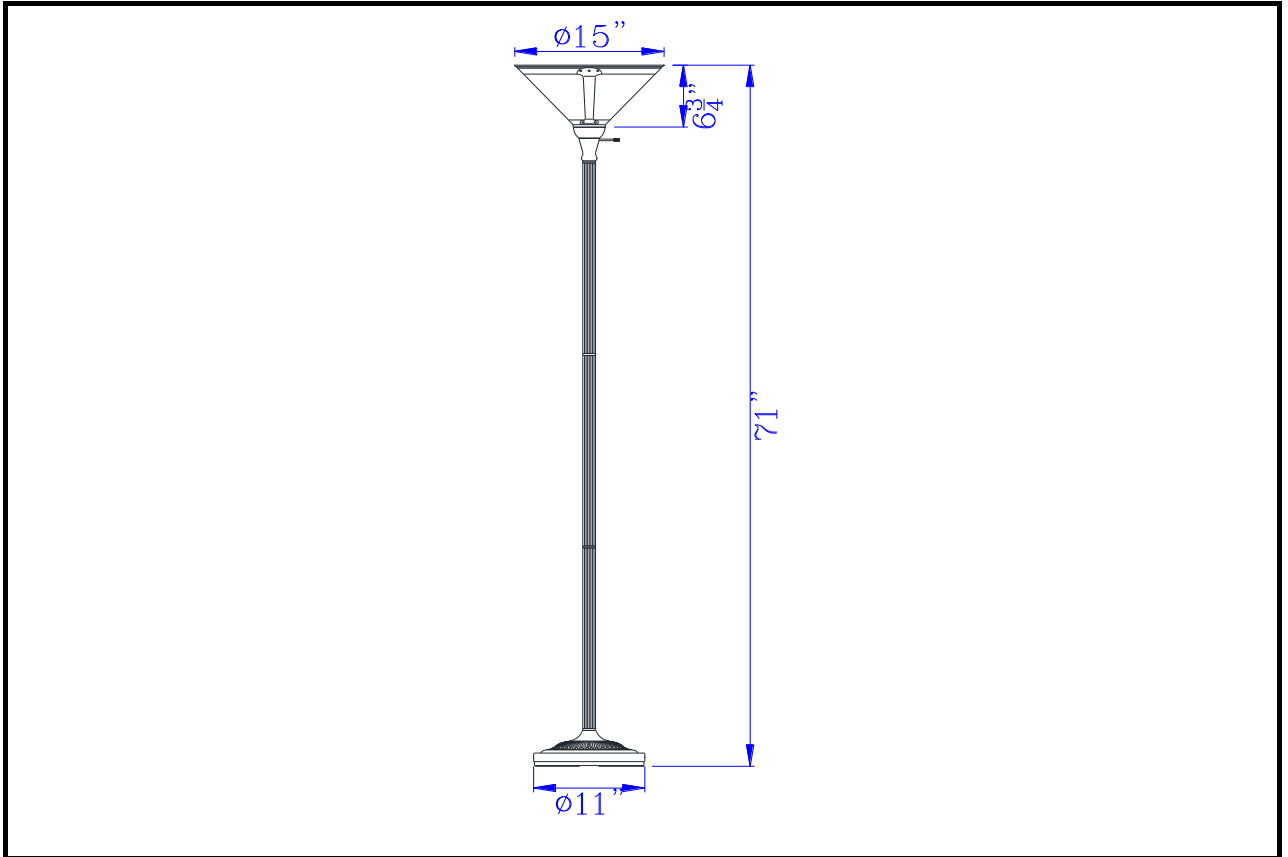
3625 E. Philadelphia St. Ontario CA. 91761. Tel: 909.947.5200. Fax:
909.947.5673. www.calighting.com. service@calighting.com.
Specifications subject to change without notice

Type: _____

Project: _____

Catalog No.: _____

Lamp/Wattage: _____



- Model No:** BO-469
- Description:** Torchiere with Mica Shade
- Material:** Mica/Metal
- Finish :** Rust
- Height:** 71"
- Base Width:** Dia.11"
- Wattage :** 150W
- Socket :** Medium Base (E27)
- Switch:** 3-way
- Bulb:** Incandescent, CFL
- Wire Length:** 6'
- Wire Color:** Brown
- Shade No:**
- Material:** Mica
- Shade size:** Dia.15" H 6 3/4"
- Certificate :** 