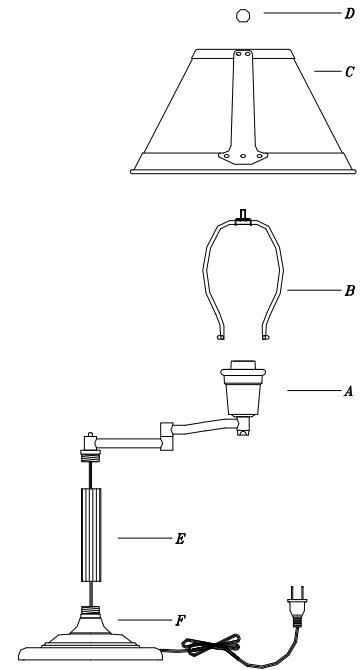


ASSEMBLY INSTRUCTIONS

ITEM NO: BO-462

1. CAREFULLY UNPACK AND PLACE ALL PARTS ON A SMOOTH SURFACE AND LAY THEM UP AS PER THE SKETCH.
2. CONNECT THE SOCKET GROUP (A),IRON TUBE (E), BASE GROUP (F) AS THE SKETCH.
3. INSERT HARP (B) INTO THE LAMPHOLDER CAP OF THE SOCKET GROUP (A) .
4. PUT SHADE (C) ONTO THE HARP (B), SCREW FINIAL(D) TO TIGHTEN THE SAHDE .YOUR NEW LAMP IS NOW READY TO ENJOY.



IMPORTANT SAFETY INSTRUCTIONS:

THIS PORTABLE LAMP HAS A POLARIZED PLUG (ONE BLADE IS WIDER THAN THE OTHER) AS A FEATURE TO REDUCE THE RISK OF ELECTRIC SHOCK. THIS PLUG WILL FIT IN A POLARIZED OUTLET ONLY ONE WAY. IF IT DOES NOT FIT FULLY IN THE OUTLET,REVERSE THE PLUG. IF IT STILL DOES NOT FIT, CONTACT A QUALIFIED ELECTRICIAN. NEVER USE WITH AN EXTENSION CORD UNLESS THE PLUG CAN BE FULLY INSERTED. DO NOT ALTER THE PLUG.

SAVE THESE INSTRUCTIONS FOR FUTURE REFERENCE.