



# CAL LIGHTING

3625 E. Philadelphia St. Ontario CA. 91761. Tel: 909.947.5200. Fax:  
909.947.5673. www.calighting.com. service@calighting.com.  
Specifications subject to change without notice

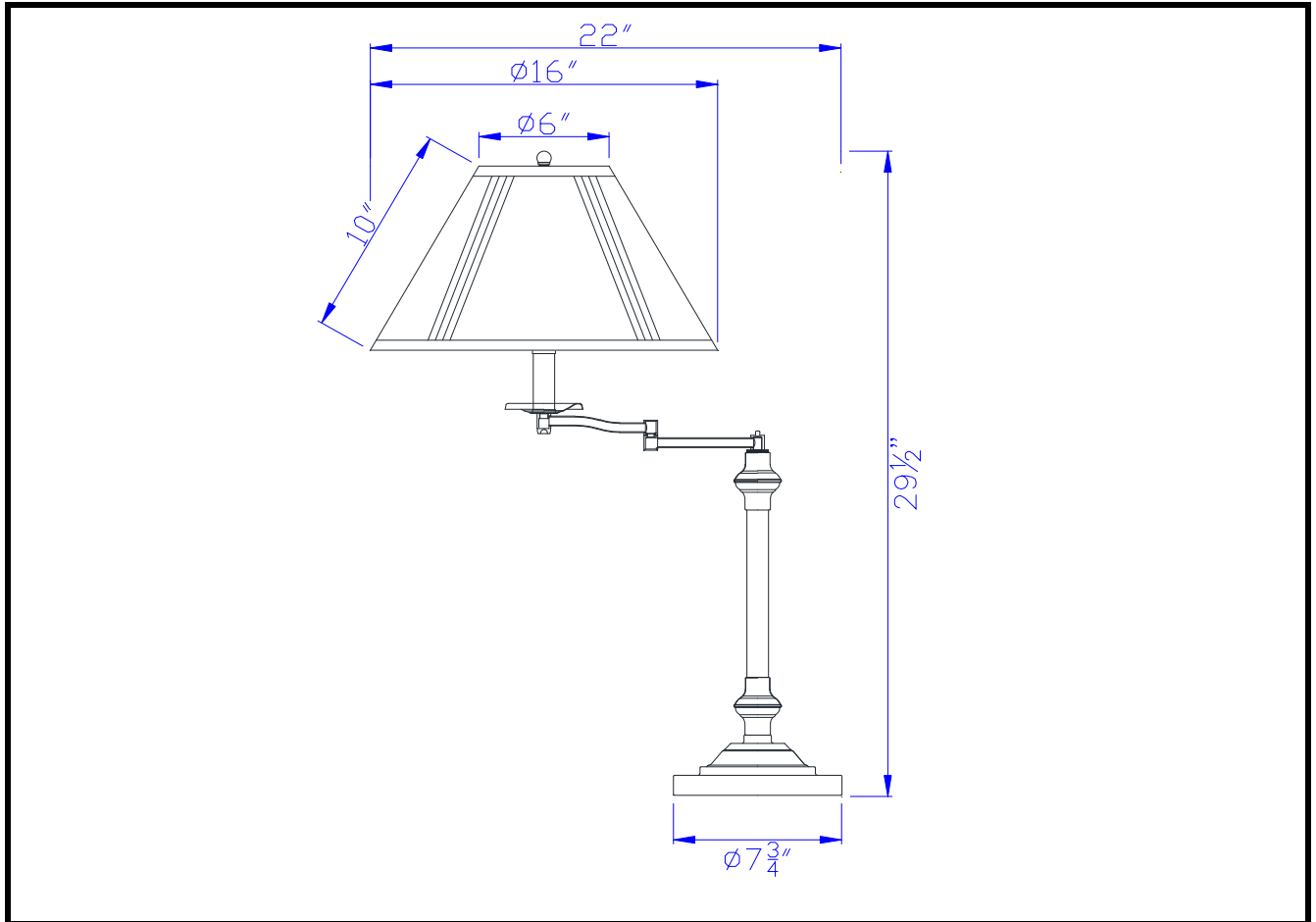
Type: \_\_\_\_\_

Project: \_\_\_\_\_

Catalog No.: \_\_\_\_\_

Lamp/Wattage: \_\_\_\_\_

## Drawing:



**Model No:** BO-342  
**Description:** Swing Arm Table Lamp With Mushroom Shade  
**Material:** Metal  
**Finish :** AB (Antique Bronze)  
**Height:** 29 1/2"  
**Reach:** 22"  
**Base Width:** 7 3/4"  
**Wattage :** 150W  
**Socket :** Medium Base (E27)  
**Switch:** 3 way  
**Bulb:** Incandescent, CFL  
**Wire Length:** 6'  
**Wire Color:** Gold  
**Shade No:** SH-2002-OW  
**Material:** Linen  
**Shade size:** 6"X16"X10"

**Certificate :** 