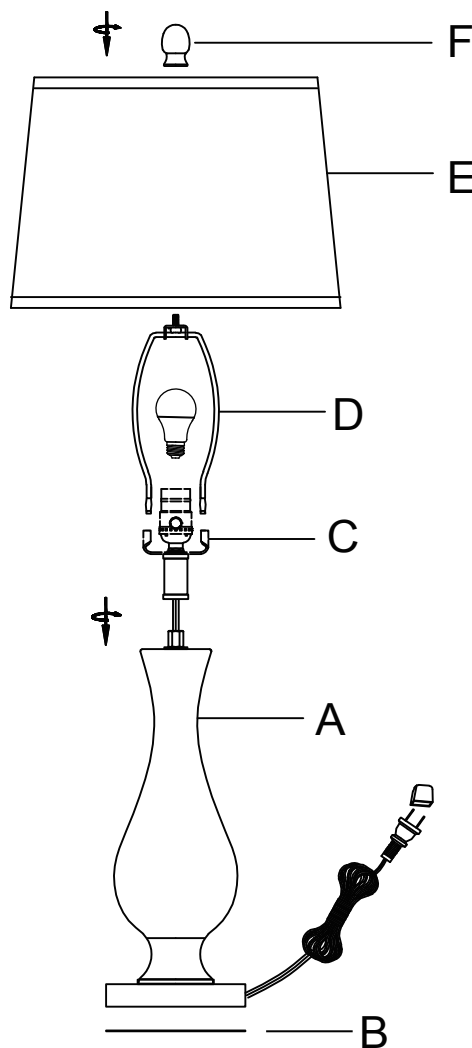


ASSEMBLY INSTRUCTIONS

ITEM NO:BO-3172TB-2

CAREFULLY UNPACK AND PLACE ALL PARTS ON A SMOOTH SURFACE.

- 1.SCREW SOCKET ASSEMBLY (C) CLOCKWISE INTO LAMP BODY (A) TO TIGHTEN.
PUT THE FELT PAD (B) TO THE BOTTOM OF THE BASE (A).
- 2.INSERT HARP (D) TO THE SADDLE (C) .
3. REMOVE THE FINIAL (F) FROM THE HARP (D), PLACE SHADE (E) ONTO HARP (D)
BY FINIAL (F) CLOCKWISE TO TIGHTEN.
- 4.INSTALL BULB (NOT INCLUDED) INTO THE SOCKET.
- 5.INSERT THE POWER PLUG INTO AN OUTLET AND ENJOY !!



Use MAX 100 Wattage type A bulb (bulb not included)

IMPORTANT SAFETY INSTRUCTIONS:

THIS PORTABLE LAMP HAS A POLARIZED PLUG (ONE BLADE IS WIDER THAN THE OTHER) AS A FEATURE TO REDUCE THE RISK OF ELECTRIC SHOCK. THIS PLUG WILL FIT IN A POLARIZED OUTLET ONLY ONE WAY. IF IT DOES NOT FIT FULLY IN THE OUTLET, REVERSE THE PLUG. IF IT STILL DOES NOT FIT, CONTACT A QUALIFIED ELECTRICIAN. NEVER USE WITH AN EXTENSION CORD UNLESS THE PLUG CAN BE FULLY INSERTED. DO NOT ALTER THE PLUG.

SAVE THESE INSTRUCTIONS FOR FUTURE REFERENCE.