



# CAL LIGHTING

3625 E. Philadelphia St. Ontario CA. 91761 • Tel: 909.947.5200 • Fax:  
909.947.5673 • www.calighting.com • service@calighting.com •  
Specifications subject to change without notice

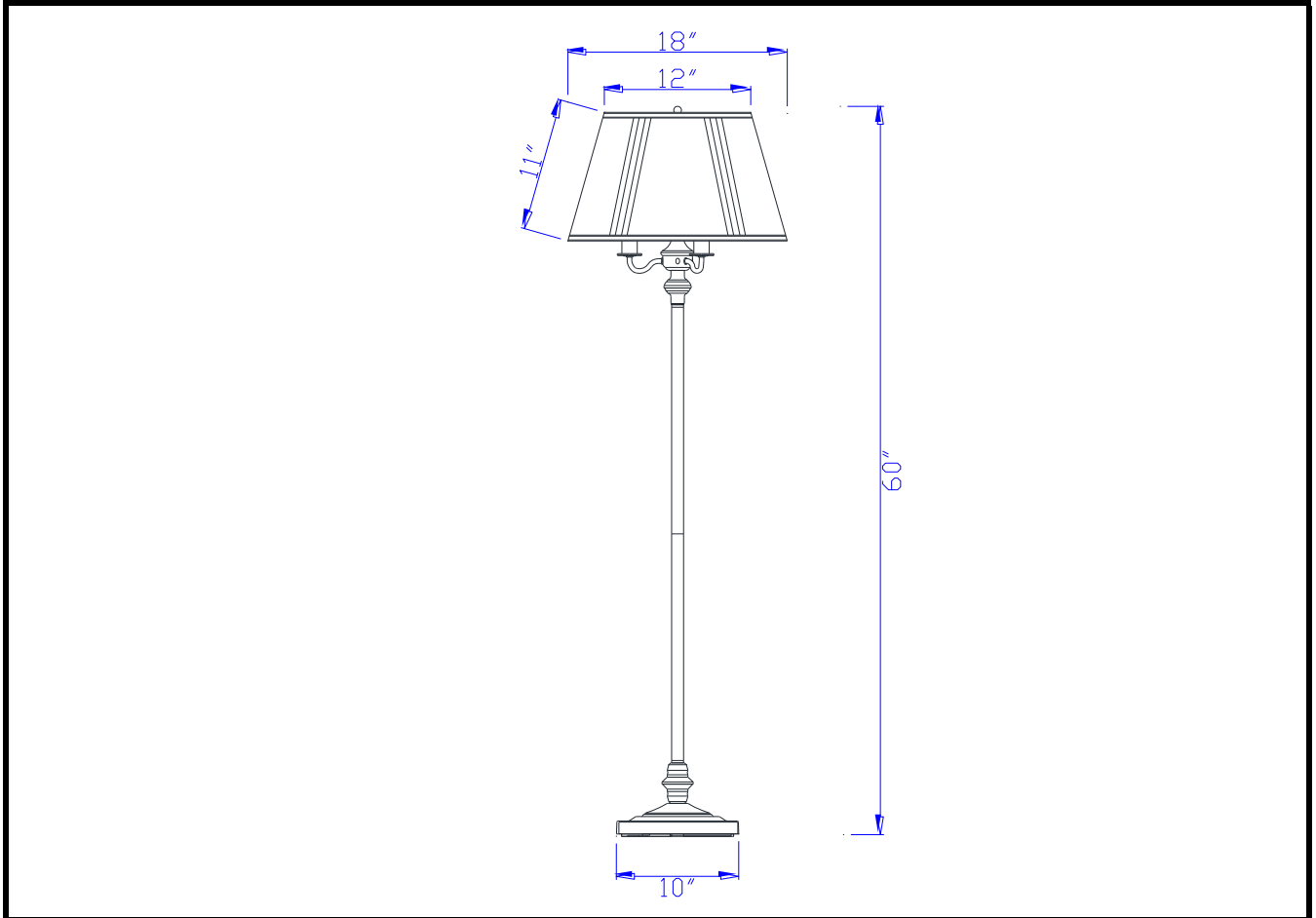
Type: \_\_\_\_\_

Project: \_\_\_\_\_

Catalog No.: \_\_\_\_\_

Lamp/Wattage: \_\_\_\_\_

## Drawing:



**Model No:** BO-315  
**Description:** Transitional Floor Lamp with 10 lbs. Weighted Base  
**Material:** Metal  
**Finish :** AB (Antique Bronze)  
**Height:** 60"  
**Base Width:** 10"  
**Wattage :** 150W + 60W x3  
**Socket :** Medium Base (E27)  
**Switch:** 6 way  
**Bulb:** Incandescent, CFL  
**Wire length:** 6'  
**Wire Color:** Gold  
**Shade No:** SH-3203  
**Material:** Linen  
**Shade size:** 12"x18"x11"

**Certificate :**

