



CAL LIGHTING

3625 E. Philadelphia St. Ontario CA. 91761. Tel: 909.947.5200. Fax:
909.947.5673. www.calighting.com. service@calighting.com.
Specifications subject to change without notice

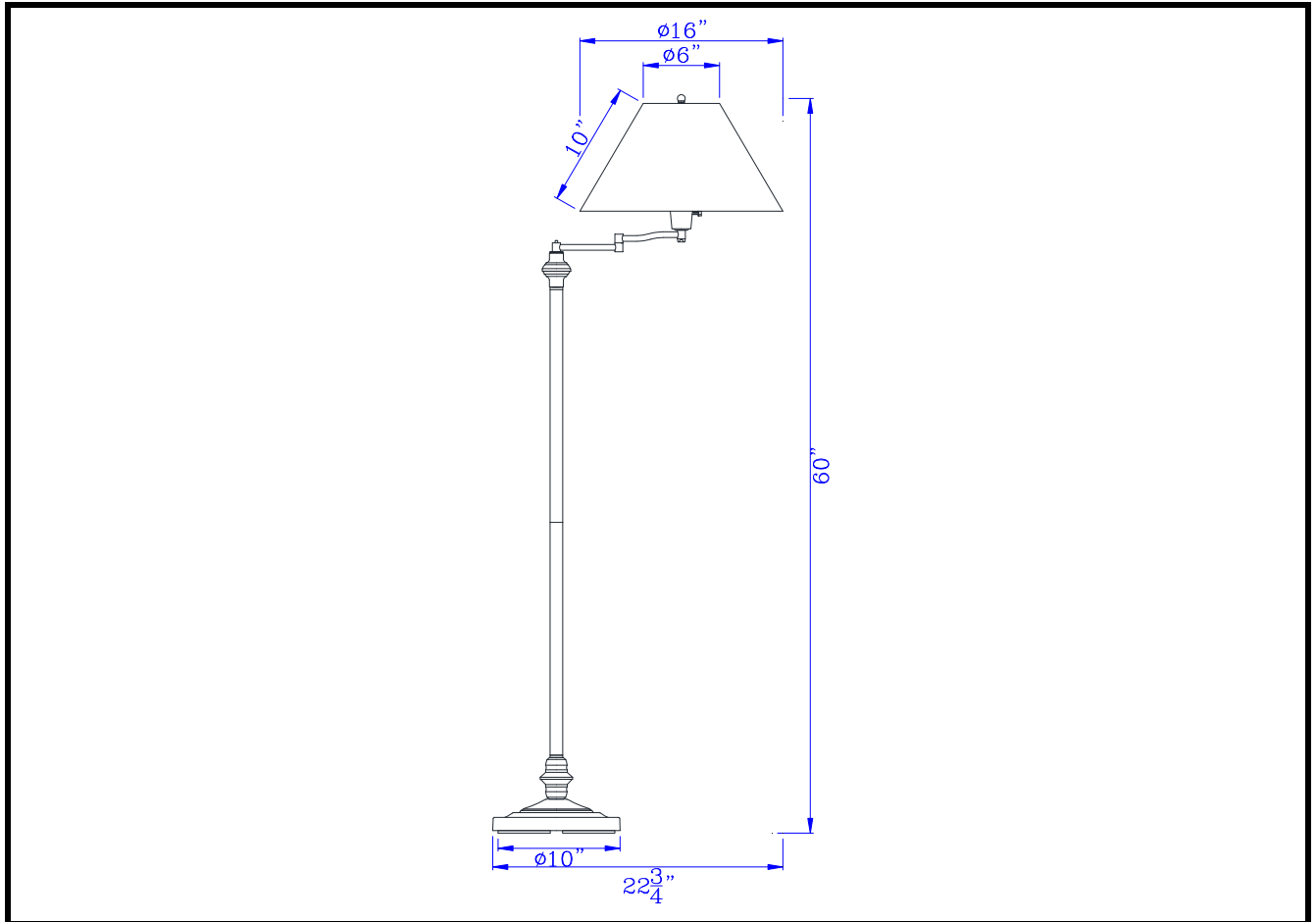
Type: _____

Project: _____

Catalog No.: **BO-314-BS**

Lamp/Wattage: _____

Drawing:



Model No: BO-314-BS
Description: Transitional Swing Arm Floor Lamp
Material: Metal
Finish : BS (Brushed Steel)
Height: 60"
Base Width: 10"
Wattage : 150W + 60W x3
Socket : Medium Base (E27)
Switch: 6 way
Bulb: Incandescent, CFL
Wire Length: 6'
Wire Color: Gold
Shade No: SH-2002-OW
Material: Hardback Linen
Shade size: 6"X16"X10"

Certificate :

