



# CAL LIGHTING

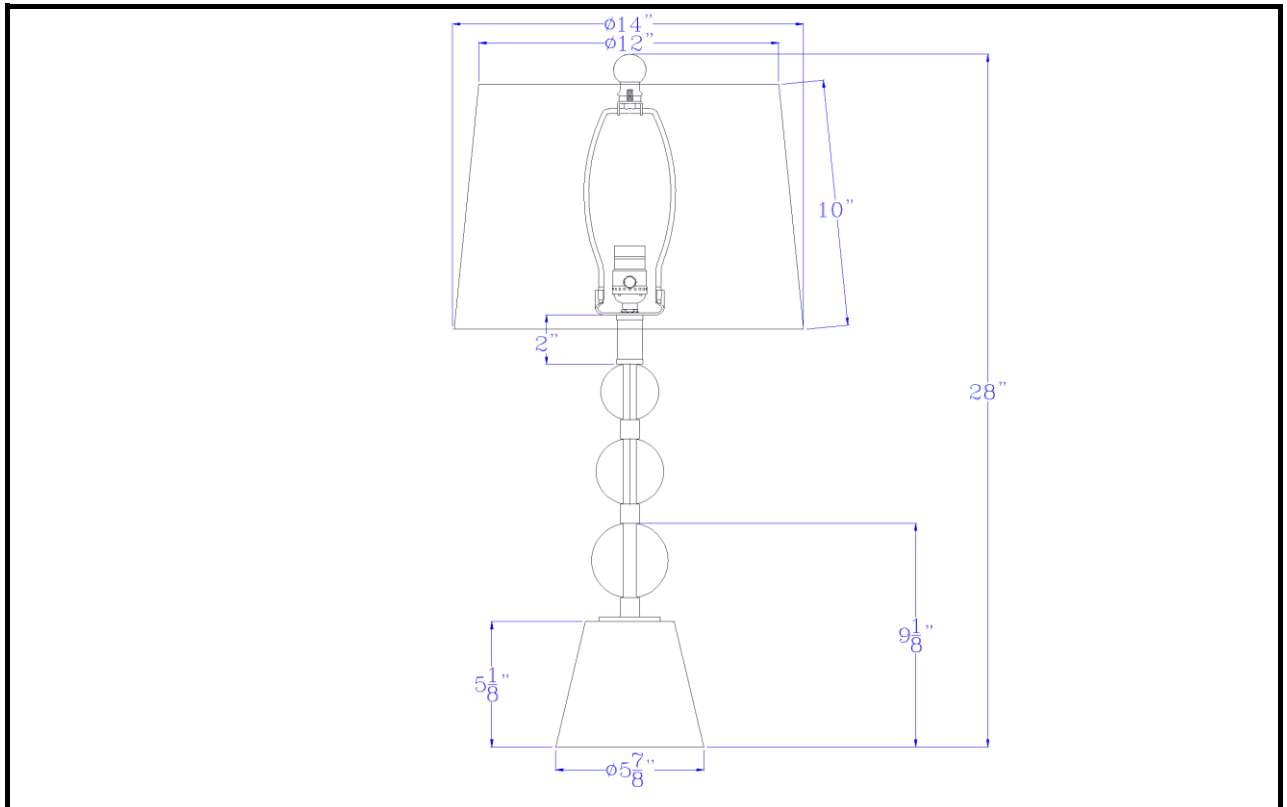
3625 E. Philadelphia St. Ontario CA. 91761. Tel: 909.947.5200. Fax: 909.947.5673. www.calighting.com. service@calighting.com.  
Specifications subject to change without notice

Type: \_\_\_\_\_

Project: \_\_\_\_\_

Catalog No.: **BO-3145TB-2**

Lamp/Wattage: \_\_\_\_\_



- Model No:** BO-3145TB-2
- Description:** Amersfoort crystal/metal table lamp with taper drum hardback fabric shade. Priced and sold as pairs
- Material:** Metal/Crystal
- Finish :** Brushed Steel/Crystal
- Height:** 28"
- Base Width:** Dia. 5 7/8"
- Wattage :** 100W
- Socket :** Medium Base (E26)
- Switch:** ON/OFF
- Bulb:** Incandescent
- Wire Length:** 6'
- Wire Color:** Silver
- Shade No:**
- Material:** Fabric
- Shade size:** Dia. 12"X14"X10"
- Certificate :** 