



CAL LIGHTING

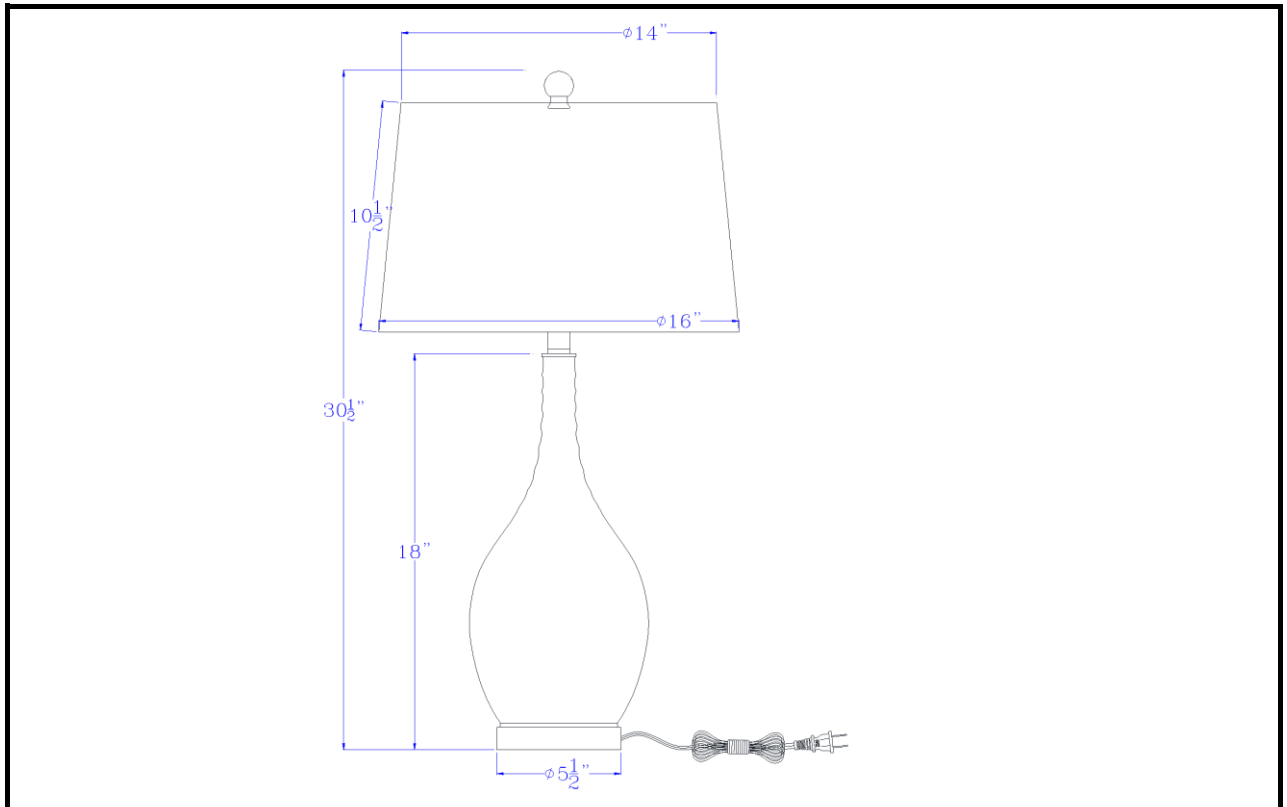
3625 E. Philadelphia St. Ontario CA. 91761. Tel: 909.947.5200. Fax: 909.947.5673. www.calighting.com. service@calighting.com.
Specifications subject to change without notice

Type: _____


Project: _____

Catalog No.: **BO-3139TB-2**

Lamp/Wattage: _____



- Model No:** BO-3139TB-2
- Description:** Pori 150W glass table lamp with taper drum fabric shade. Priced and sold a pairs.
- Material:** Glass/Metal
- Finish :** Sculpture White
- Height:** 30 1/2"
- Base Width:** Dia.5 1/2"
- Wattage :** 150W
- Socket :** Medium Base (E26)
- Switch:** 3WAY
- Bulb:** Incandescent
- Wire Length:** 6'
- Wire Color:** Silver
- Shade No:**
- Material:** Fabric
- Shade size:** 14"X16"X10 1/2"

Certificate :  c UL us