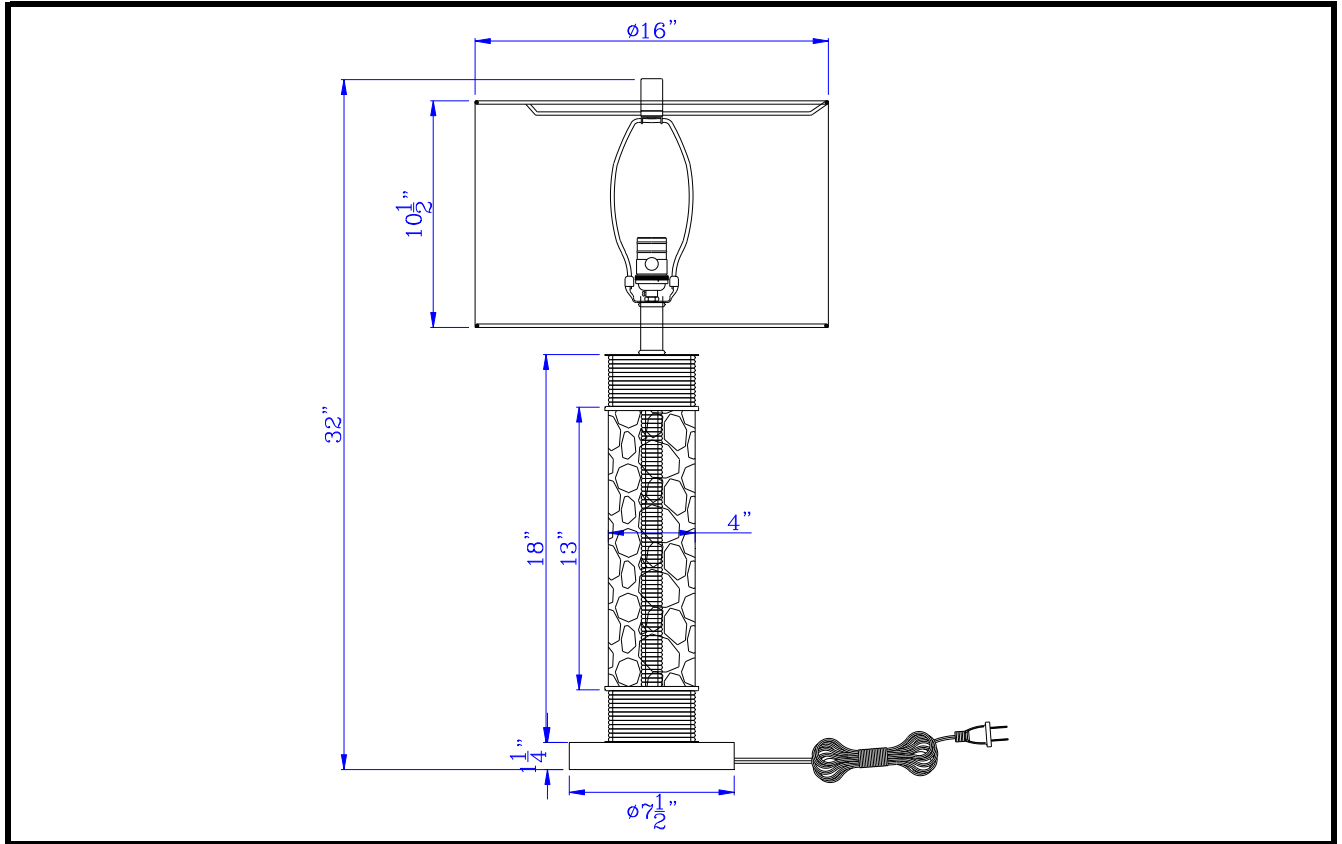




CAL LIGHTING

3625 E. Philadelphia St. Ontario CA. 91761. Tel: 909.947.5200. Fax: 909.947.5673. www.calighting.com. service@calighting.com.
Specifications subject to change without notice

Type: _____
Project: _____
Catalog No.: **BO-3132TB**
Lamp/Wattage: _____



- Model No:** BO-3132TB
- Description:** 150W 3 way Bartow glass/metal table lamp with burlap design and drum burlap shade
- Material:** Metal
- Finish :** Dark Bronze/Burlap/Textured Glass
- Height:** 28"
- Base Width:** Dia.7 1/2"
- Wattage :** 150W
- Socket :** Medium Base (E26)
- Switch:** 3-Way
- Bulb:** Incandescent
- Wire Length:** 6'
- Wire Color:** Black
- Shade No:**
- Material:** Fabric
- Shade size:** 16" X 16" X 10 1/2"

Certificate :  cULus