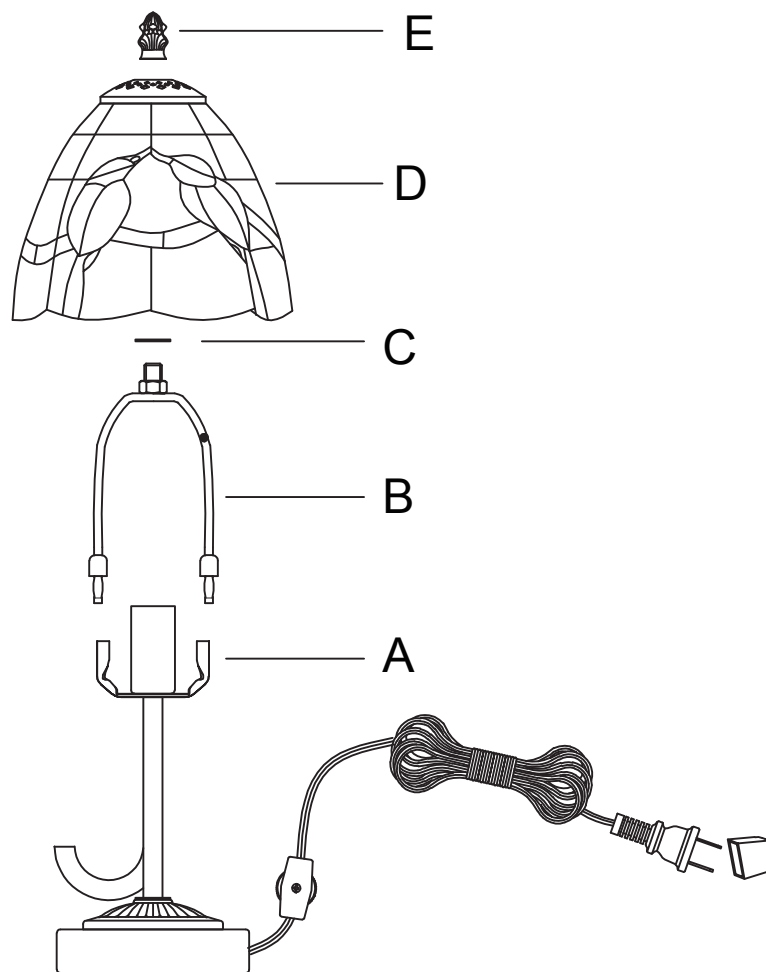


ASSEMBLY INSTRUCTIONS

ITEM NO:BO-3118AC

CAREFULLY UNPACK AND PLACE ALL PARTS ON A SMOOTH SURFACE.

1. INSERT HARP (B) TO THE SADDLE (A) .
2. PUT WASHER (C) ONTO HARP (B), AND PLACE SHADE (D) OVER HARP (B) BY FINIAL (E) CLOCKWISE TO TIGHTEN.
3. INSTALL BULB (NOT INCLUDED) INTO THE SOCKET.
4. INSERT THE POWER PLUG INTO AN OUTLET AND ENJOY !!



Use MAX 40 Wattage type B bulb (bulb not included)

IMPORTANT SAFETY INSTRUCTIONS:

THIS PORTABLE LAMP HAS A POLARIZED PLUG (ONE BLADE IS WIDER THAN THE OTHER) AS A FEATURE TO REDUCE THE RISK OF ELECTRIC SHOCK. THIS PLUG WILL FIT IN A POLARIZED OUTLET ONLY ONE WAY. IF IT DOES NOT FIT FULLY IN THE OUTLET, REVERSE THE PLUG. IF IT STILL DOES NOT FIT, CONTACT A QUALIFIED ELECTRICIAN. NEVER USE WITH AN EXTENSION CORD UNLESS THE PLUG CAN BE FULLY INSERTED. DO NOT ALTER THE PLUG.

SAVE THESE INSTRUCTIONS FOR FUTURE REFERENCE.